

CRH-36

34.5 kV CURRENT TRANSFORMER



**OUTDOOR
60 Hertz**

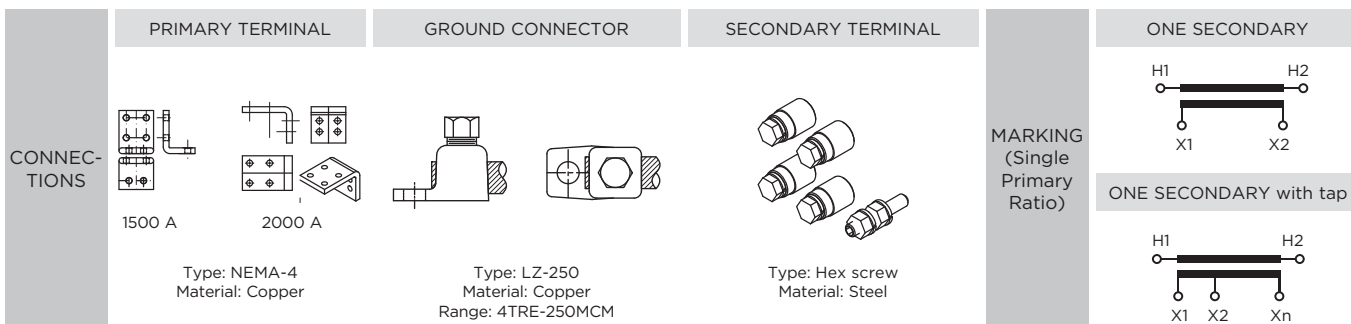
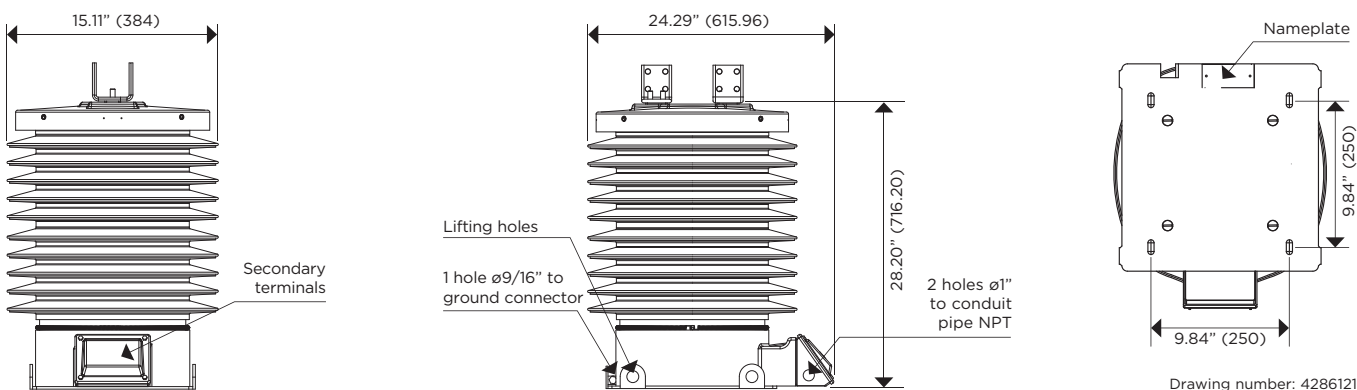
ARTECHE CR series are dry type outdoor service current transformers. The core is encapsulated with Type B epoxy resin which provides excellent internal dielectric properties and mechanical strength. The external layer of Cycloaliphatic Epoxy Resin (CEP) provides resistance to ultraviolet rays and the effects of tracking and erosion on the exterior of the transformer ensuring a long mechanical and electrical life. The transformer is maintenance free.

The external layer can be manufactured with Hydrophobic Cycloaliphatic Epoxy Resin (HCEP) which improves service life expectancy due to its improved tracking and erosion resistance. HCEP additionally increases the transformer's weatherability and offers better performance in heavily polluted environments.

The core is built with high permeability grain oriented silicon steel laminations for low losses. The windings are copper wire with copper plate double isolation. The concentric distribution of the coils prevents magnetic flux leakage, achieving greater accuracy and higher capacity to withstand mechanical stresses in adverse operating conditions.

Partial Discharge measurements exceed the IEEE, CAN/CSA and IEC requirements.

Mechanical characteristics		Weight (lbs.)	Creepage distance (in)	Strike distance (in)
Insulation Material	Colors			
Resin	Gray*	253.5	47.83	19.3



Approximate dimensions in inches (mm).
* Brown color available upon request

CRH-36

34.5 kV CURRENT TRANSFORMER

Electrical characteristics										
Code * (CEP)	Current Ratio (Primary: Secondary) (A)	Continuous Thermal Current Rating Factor @ 30°C	Short- time Thermal Current (kA/1s)	Short- time Mechanical Current (kA _{peak})	IEEE Metering Accuracy	Relay Accuracy	Nominal Voltage System (kV)	BIL (kV)	Power-Frequency Withstand Voltage (1 min)	
									Primary & Secondary (kV _{rms})	Secondary Winding (kV _{rms})
756861001	5:5	2.0	0.5	0.95	0.3B-1.8	T200	34.5	200	70	2.5
756861002	10:5	2.0	1	1.9	0.3B-1.8	T200	34.5	200	70	2.5
756861003	15:5	2.0	1.5	2.85	0.3B-1.8	T200	34.5	200	70	2.5
756861004	20:5	2.0	2	3.8	0.3B-1.8	T200	34.5	200	70	2.5
756861005	25:5	2.0	2.5	4.75	0.3B-1.8	T200	34.5	200	70	2.5
756861006	30:5	2.0	3	5.7	0.3B-1.8	T200	34.5	200	70	2.5
756861008	40:5	2.0	4	7.6	0.3B-1.8	T200	34.5	200	70	2.5
756861010	50:5	2.0	5	9.5	0.3B-1.8	T200	34.5	200	70	2.5
756861015	75:5	2.0	6	11.4	0.3B-1.8	T200	34.5	200	70	2.5
756861020	100:5	2.0	7.5	14.25	0.3B-1.8	T200	34.5	200	70	2.5
756861030	150:5	2.0	10	19	0.3B-1.8	T200	34.5	200	70	2.5
756861040	200:5	2.0	20	38	0.3B-1.8	T200	34.5	200	70	2.5
756861060	300:5	2.0	30	57	0.3B-1.8	T200	34.5	200	70	2.5
756861080	400:5	2.0	40	76	0.3B-1.8	T200	34.5	200	70	2.5
756861100	500:5	2.0	50	9.5	0.3B-1.8	T200	34.5	200	70	2.5
756861120	600:5	2.0	60	86.7	0.3B-1.8	T200	34.5	200	70	2.5
756861160	800:5	2.0	60	114	0.3B-1.8	T200	34.5	200	70	2.5
756861200	1000:5	1.5	75	142.5	0.3B-1.8	T200	34.5	200	70	2.5
756861240	1200:5	1.5	90	171	0.3B-1.8	T200	34.5	200	70	2.5
756862002	10/20:5	3.0/2.0	2	3.8	0.3B-1.8/0.3B1.8	T100/T200	34.5	200	70	2.5
756862005	25/50:5	3.0/2.0	5	9.5	0.3B-1.8/0.3B1.8	T100/T200	34.5	200	70	2.5
756862006	30/60:5	3.0/2.0	6	11.4	0.3B-1.8/0.3B1.8	T100/T200	34.5	200	70	2.5
756862010	50/100:5	3.0/2.0	10	19	0.3B-1.8/0.3B1.8	T100/T200	34.5	200	70	2.5
756862015	75/150:5	3.0/2.0	15	28.5	0.3B-1.8/0.3B1.8	T100/T200	34.5	200	70	2.5
756862020	100/200:5	3.0/2.0	20	38	0.3B-1.8/0.3B1.8	T100/T200	34.5	200	70	2.5
756862030	150/300:5	3.0/2.0	30	57	0.3B-1.8/0.3B1.8	T100/T200	34.5	200	70	2.5
756862040	200/400:5	3.0/2.0	40	76	0.3B-1.8/0.3B1.8	T100/T200	34.5	200	70	2.5
756862030	300/600:5	3.0/2.0	60	86.7	0.3B-1.8/0.3B1.8	T100/T200	34.5	200	70	2.5
756862030	400/800:5	3.0/2.0	60	114	0.3B-1.8/0.3B1.8	T100/T200	34.5	200	70	2.5
756862030	500/1000:5	3.0/1.5	75	142.5	0.3B-1.8/0.3B1.8	T100/T200	34.5	200	70	2.5
756862030	600/1200:5	3.0/1.5	90	171	0.3B-1.8/0.3B1.8	T100/T200	34.5	200	70	2.5
High Accuracy Extended Range 1% nominal current to Rating Factor										
756868040	200:5	4.0	20	38	0.15 B-1.8	-	34.5	200	70	2.5
756868120	600:5	3.0	60	86.7	0.15 B-1.8	-	34.5	200	70	2.5
756868200	1000:5	2.0	75	142.5	0.15 B-1.8	-	34.5	200	70	2.5
756868240	1200:5	1.5	90	171	0.15 B-1.8	-	34.5	200	70	2.5

* For HCEP Option add (-H) to the end of the code number.

Additional ratings available upon request.