

Capacity Accuracy Part number



Alloy steel, nickel - plated, tension or compression applications. Suitable for hanging scales, mechanical conversion scales, hopper scales and other electronic weighing devices.

Weighing Assembly Available—See Model HL-3 series on page 79 and 80.

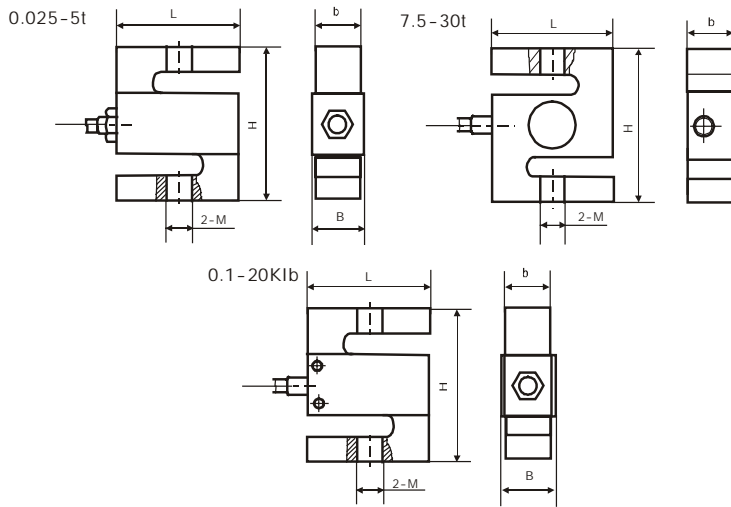
25kg	C3	H3-C3-25kg-3B
50kg	C3	H3-C3-50kg-3B
100kg	C3	H3-C3-100kg-3B
150kg	C3	H3-C3-150kg-3B
200kg	C3	H3-C3-200kg-3B
250kg	C3	H3-C3-250kg-3B
300kg	C3	H3-C3-300kg-3B
500kg	C3	H3-C3-500kg-3B
600kg	C3	H3-C3-600kg-3B
750kg	C3	H3-C3-750kg-3B
1.0t	C3	H3-C3-1.0t-3B
1.5t	C3	H3-C3-1.5t-3B
2.0t	C3	H3-C3-2.0t-6B
2.5t	C3	H3-C3-2.5t-6B
3.0t	C3	H3-C3-3.0t-6B
5.0t	C3	H3-C3-5.0t-6B
7.5t	C3	H3-C3-7.5t-6B
10t	C3	H3-C3-10t-6B
15t	C3	H3-C3-15t-6B
20t	C3	H3-C3-20t-6B
30t	C3	H3-C3-30t-6B
100 lb	N10	H3-N10-100-6YB
150 lb	N10	H3-N10-150-6YB
200 lb	N10	H3-N10-200-6YB
250 lb	N10	H3-N10-250-6YB
300 lb	N10	H3-N10-300-6YB
500 lb	N10	H3-N10-500-6YB
750 lb	N10	H3-N10-750-6YB
1Klb	N10	H3-N10-1K-6YB
1.5Klb	N10	H3-N10-1.5K-6YB
2Klb	N10	H3-N10-2K-6YB
2.5Klb	N10	H3-N10-2.5K-6YB
3Klb	N10	H3-N10-3K-6YB
5Klb	N10	H3-N10-5K-6YB
10Klb	N10	H3-N10-10K-6YB
15Klb	N10	H3-N10-15K-6YB
20Klb	N10	H3-N10-20K-6YB

Specifications

Accuracy Class	OIML R60 C3	N10	Temperature effect on zero (%FS/10)	0.017
Rated output (mV/V)	2.0±0.004(Metric)	3.0±0.008(Imperial)	Temperature, Compensated ()	-10~+40
Combined error (%FS)	0.02		Temperature, Operating ()	-35~+65
Non-linearity (%FS)	0.02		Excitation, Recommended (V)	5-12(DC)
Non-repeatability (%FS)	0.01		Excitation, Max. (V)	18(DC)
Creep (%FS/30min)	0.02		Safe Overload (%FS)	150
Input Resistance ()	350 ± 3.5		Ultimate Overload (%FS)	300
Output Resistance ()	350 ± 3.5		Protection Class	IP 67
Insulation Resistance (M)	5000(50VDC)		Cable Length (m)	3(0.025-0.75t),6(1-30t),6(0.1-20Klb)
Zero Balance (%FS)	1.5(Metric)	1.0(Imperial)	Cable spec	4-wire shielded PU cable 5mm
Temperature effect on span (%FS/10)	0.014			

Connections Red Input(+) Black Input(-) Green Output(+) White Output(-) Transparence (Shield)

Outline Dimensions in mm(inches)



Capacity	L	H	b	B	M
25-50kg	50.8 (2.00)	76.2 (3.00)	12.7 (0.50)	14.5 (0.57)	M8
0.1-0.15t	50.8 (2.00)	76.2 (3.00)	19.0 (0.75)	20.8 (0.82)	M10×1.5
0.2-0.75t	50.8 (2.00)	76.2 (3.00)	19.0 (0.75)	20.8 (0.82)	M12×1.75
1-1.5t	50.8 (2.00)	76.2 (3.00)	25.4 (1.00)	27.2 (1.07)	M12×1.75
2-5t	76.2 (3.00)	101.6 (4.00)	25.4 (1.00)	27.2 (1.07)	M20×1.5
7.5-10t	125 (4.92)	175 (6.89)	50 (1.97)	/	M33×3
15-20t	160 (6.3)	200 (7.87)	60 (2.36)	/	M42×3
30t	190 (7.48)	230 (9.06)	80 (3.15)	/	M42×3
100-300lb	50.8 (2.00)	63.5 (2.50)	12.7 (0.50)	15.9 (0.63)	1/4-28UNF
500lb	50.8 (2.00)	63.5 (2.50)	19.05 (0.75)	22.25 (0.88)	1/2-20UNF
0.75-1.5Klb	50.8 (2.00)	63.5 (2.50)	19.05 (0.75)	22.25 (0.88)	1/2-20UNF
2-2.5Klb	50.8 (2.00)	63.5 (2.50)	25.4 (1.00)	28.6 (1.13)	1/2-20UNF
3Klb	76.2 (3.00)	101.6 (4.00)	25.4 (1.00)	28.6 (1.13)	1/2-20UNF
5-10Klb	76.2 (3.00)	101.6 (4.00)	25.4 (1.00)	28.6 (1.13)	3/4-16UNF
15Klb	101.6 (4.00)	139.7 (5.50)	31.75 (1.25)	34.95 (1.38)	1-14UNS
20Klb	127 (5.00)	177.8 (7.00)	50.8 (2.00)	54 (2.13)	5/4-12UNF