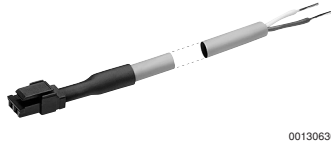


Electrical connection technologies → Electrical connection technologies

Connecting cable with socket

► Socket ► without wire end ferrule, tin-plated



Ambient temperature min./max. +0 °C / +50 °C  
 Protection class according to EN 60529 IP 40  
 Cable exit straight 180°

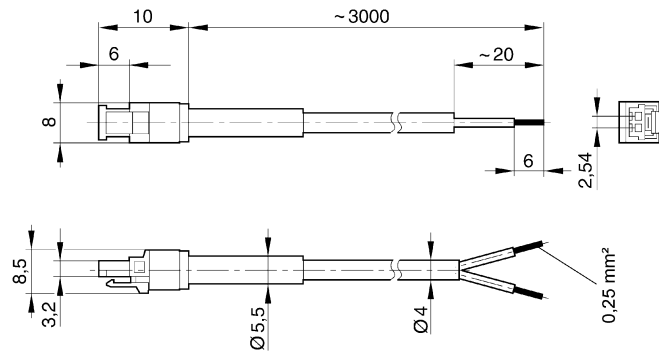
Materials:  
 Housing Polyoxymethylene  
 Cable sheath Polyurethane

**Technical Remarks**  
 ■ The specified protection class is valid only in assembled and tested state.

Electrical interface		Number of plug options	Number of wires	Cable length	Wire cross-section	Weight	Delivery quantity	Part No.
[Port 1]	[Port 2]	[for port 1]		[m]	[mm <sup>2</sup> ]	[kg]	[Piece]	
Socket	without wire end ferrule, tin-plated	1 position	2	3	0.25	0.05	1	1834484253
Part No.		Note						
1834484253		1)						

1) Halogen-free

**Dimensions**



00128286