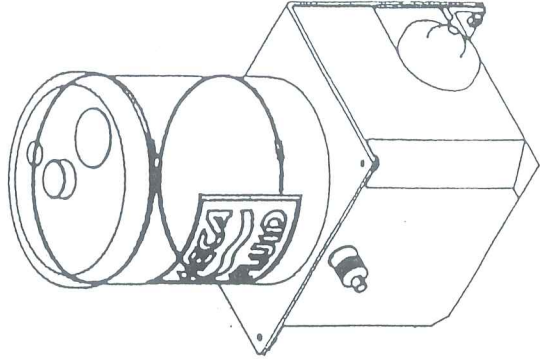


# MFXE

## Electric Pump MFXE.100 12/24 V DC

674 Dos.  
1.3.6  
Forest Line



MFXE.100.G

**ISO 9001**

AFAQ 1995-3256

**FLUID GREASE**

Rate : 140 cc/min.

### Specifications

**Electric pump** on plastic-material reservoir for centralised lubrication system -fluid grease- with volumetric distributors.

Gear pump driven by an electric motor.

Mean delivery : 140 cc/min.

Operating pressure : 25 bar (overflow valve).

**DC electric motor :**

. voltage 24 V DC - Power 70 W *or*

. voltage 12 V DC - Power 60 W.

**Reservoir :** polycarbonate, use capacity 2.7 kg. Filling under pressure using a quick union. *Avoid air entering the reservoir.*

**Lubricant level**

- visual reference (translucent reservoir),

- electrical control (minimum level warning device that stops the pump, contact opening by decreasing level, ).

**Operation, lubrication cycles :** *please refer to the technical data 1.3.1.*

*Please pay attention :*

Motor switching time < 60 s. 8 cycles an hour max..

**Maximum use temperature :** 70°C.

**Handled lubricants:**

- fluid greases grade NLGI-00 or 000, homologated by Mécafluid.  
*Before using grease type NLGI-0, please ask us.*



Rue Robert Amy

49400 SAUMUR (FRANCE)

☒ BP 130

49404 SAUMUR Cedex

Tel. 33.(0)2.41.40.42.00

Fax 33.(0)2.41.40.42.42