



G001824

Manual Call Point IP23 **Salwico MCP-A (GB)**

Part no 5200030-01A

System: Salwico CCP, CS3000, CS3004,
CS4000, NSAC-I

General Description

MCP-A is an addressable manual call point for indoor environment, designed for the Salwico addressable fire alarm systems.

Pressing the glass causing it to crack activates the fire alarm. A protective plastic coating on the glass prevents operator injury.

An LED on the front of the call point indicates the fire alarm. The LED remains lit until the fire alarm has been reset on the fire alarm panel.


The call point can be tested with a special key, included in the delivery.

The address of the call point is set with a DIP-switch.

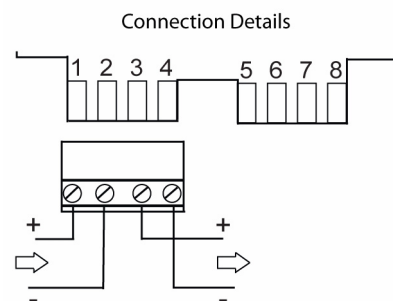
The MCP-A also provides short-circuit protection via connections 1-4.

In order to achieve IP23 the MCP-A shall be mounted on a smooth surface and the cable inlet/outlet shall be secured against leakage.

Data

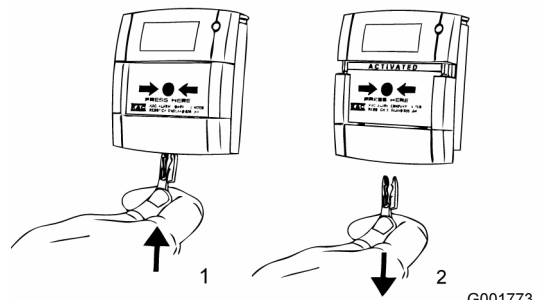
| | |
|------------------------|--|
| Nominal voltage | 34 VDC |
| Working voltage | 20-38 VDC |
| Supervising current | 0.2 mA |
| Alarm current | 2.5 mA |
| Ingress protection | IP23D |
| Temperature range | -25°C to +70°C |
| Ambient humidity | 0 to 95% RH |
| Material | PC/ABS |
| Colour | Red, RAL 3001 |
| Weight | ~160 g |
| Cable dimension | Ø6-12 mm |
| Certified according to |  0470 |
| Spare glasses (10pcs.) | Part no. 5200075-00A |

Connection



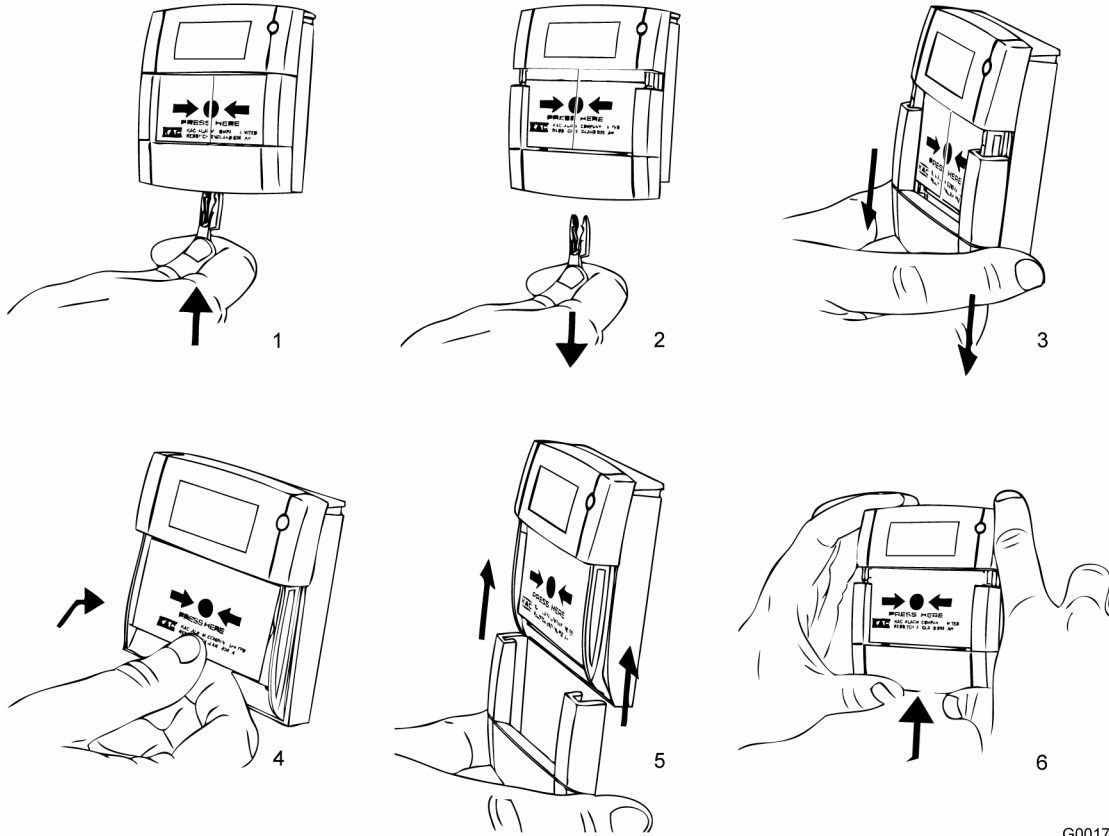
G001976

Test



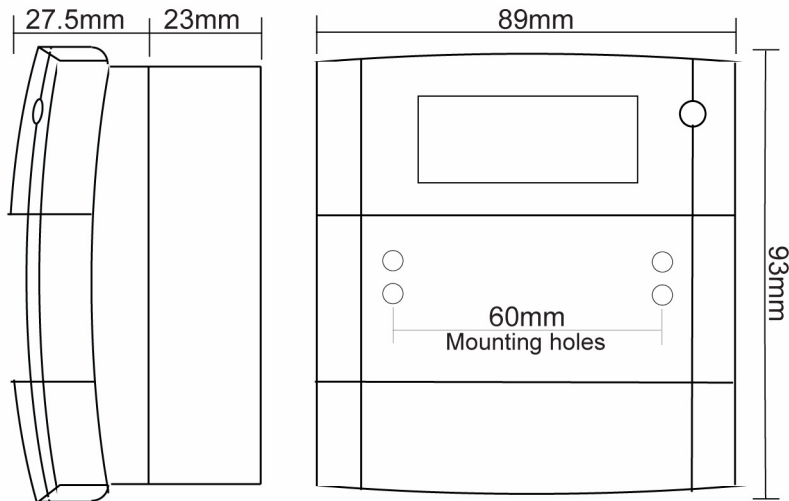
G001773

Change Glass



G001779

Dimensions (mm)



G001771