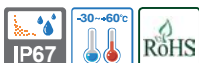


# QWSL/ QWHL

Water, Vibration Resistant  
LED Work Lights with IP67 Protection



**Tightly sealed structure for dusty and water area and outdoor used**

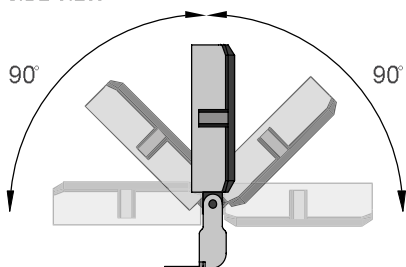
## Common Specifications(QWSL/ QWHL)



- Waterproof and dustproof IP67 rated models available for environments which have lingering dust or moisture
- Uses tempered glass to minimize damage from external contact or impact
- Excellent protection against heat with Al housing structure
- Keeps stable illumination intensity in unstable voltage conditions by using a constant current control circuit
- Can select between QWSL model (Anti-glare type) and QWHL model (High luminance type) depending on your work conditions
- K type equipped with a light angle adjustable bracket for 180° range front and rear
- Standard entry cable included. Can customize the product with the M12 connector if requested
- Customized oil resistant cable attach type available
- DC 24V only
- Certificates : CE Compliant
- Compliant with RoHS directive(QWHL-150/QWHL-250)

### K Type Bracket

SIDE VIEW



K type is equipped with an angle adjustable bracket, has a wide tilt adjustment angle range of 180°

### M12 Connector Equipped



M12 connector for cable entry is customized, and an additional cable for the connector will be provided



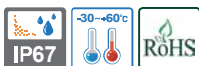
Protection rating IP67 water and vibration resistance model

## Light Distribution and Illumination

Model	QWSL-150-D QWSL-150-K	QWSL-250-D QWSL-250-K	QWHL-150-D QWHL-150-K	QWHL-250-D QWHL-250-K
Light Distribution Curve				
Illumination Feature				

# QWSL/ QWHL

Water, Vibration Resistant  
LED Work Lights with IP67 Protection



## QWSL-150/ QWSL-250

- Equipped anti-glare filter
- Suitable for environments that require stable intensity illumination for improved visibility



**QWSL-150-D**



**QWSL-250-D**



**QWSL-150-K**



**QWSL-250-K**

## QWHL-150/ QWHL-250

- High intensity illumination and condenser lens combination
- High intensity illumination allows for the environment both long distance and straightness are required



**QWHL-150-D**



**QWHL-250-D**



**QWHL-150-K**



**QWHL-250-K**

### Optics Specifications

Model	QWSL-150-D QWSL-150-K	QWSL-250-D QWSL-250-K	QWHL-150-D QWHL-150-K	QWHL-250-D QWHL-250-K
Lens color	Translucent		Transparent	
Light color	Cooldaylight			
Color temperature	6,000-7,000K			
Luminous flux	689lm	1,542lm	829lm	1,287lm
Illumination(at 1m)	570Lux	920Lux	3,200Lux	5,200Lux

### Specifications

Model	QWSL-150-D QWSL-150-K	QWSL-250-D QWSL-250-K	QWHL-150-D QWHL-150-K	QWHL-250-D QWHL-250-K
Rated voltage	DC24V		DC24V	
Range for operation voltage	DC21.5V-26.5V			
Current	0.450A	0.950A	0.420A	0.682A
Power consumption	11W	23W	10W	17W
Insulation resistance	Min. 100MΩ(500V DC mega ohm meter)			
Withstanding voltage	DC : 500V AC, 60Hz, 1 minute			
Operating temperature	-30°C to +60°C			
Waterproof	IP67			
Materials	Housing: Al, Lens : Tempered glass, Cover : Al, Bracket : STS430			
Certification	CE			
Weight(approx.)	QWSL-150-D : 0.90kg QWSL-150-K : 1.00kg	QWSL-250-D : 1.16kg QWSL-250-K : 1.26kg	QWHL-150-D : 0.81kg QWHL-150-K : 1.03kg	QWHL-250-D : 1.21kg QWHL-250-K : 1.31kg



Warning/  
Signal/  
Stackable



Signal &  
Electric Horn/  
Speakers



Vessels and  
Heavy-Duty  
Equipment



Explosion  
Proof



Warning  
Light Bar



Aviation  
Obstruction  
Lights



Signal Tower  
Lights



USB/ETN  
Signal Tower  
Lights



Electric Horn/  
Speakers



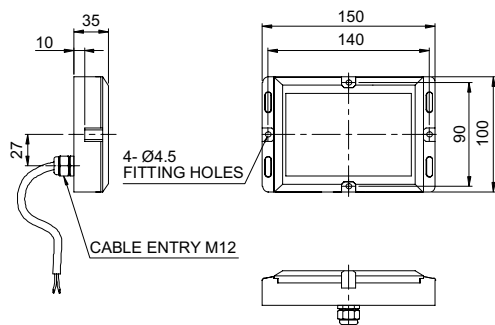
Industrial  
LED Lights



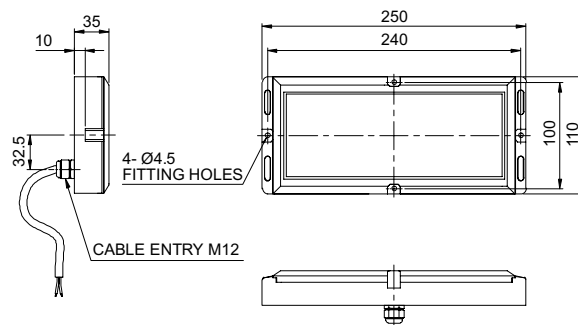
### Technical Diagram

(Units : mm)

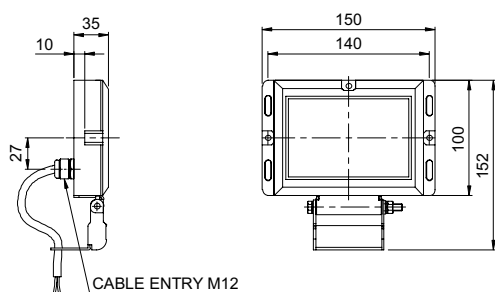
QWSL/ QWHL-150-D



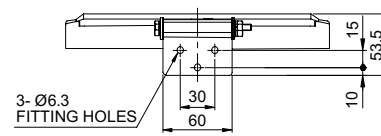
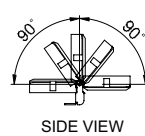
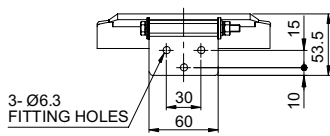
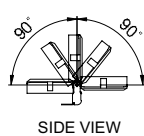
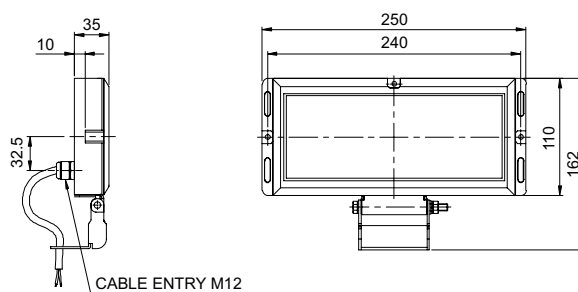
QWSL/ QWHL-250-D



QWSL/ QWHL-150-K



QWSL/ QWHL-250-K



※ Power Line Standard : CLASSIC 400P(0.75sq×2C) 400mm



### Ordering Specification

<b>QWSL</b>	-	<b>150</b>	-	<b>D</b>	-	<b>24</b>
[Model number]		[Length]		[Mount bracket]		[Voltage]
<ul style="list-style-type: none"> <li>• QWSL : Anti-Glare</li> <li>• QWHL : High illumination</li> </ul>		<ul style="list-style-type: none"> <li>• 150 : 150mm</li> <li>• 250 : 250mm</li> </ul>		<ul style="list-style-type: none"> <li>• D : Self stand</li> <li>• K : Vertical angle adjust</li> </ul>		<ul style="list-style-type: none"> <li>• 24-DC24V</li> </ul>



Please check the safety manual before use, accidents such as fire or electric shock can occur if the safety manual is not followed.

This product can be changed without any notification. Latest information is on the website.