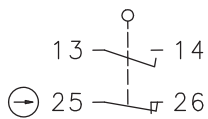


# Rope pull switch Series SID

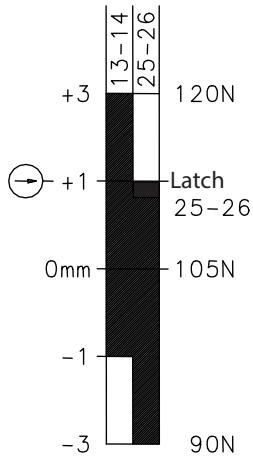
Description **SID-UV1Z P-RAST**

Article number **6011431869**

### Operating symbol

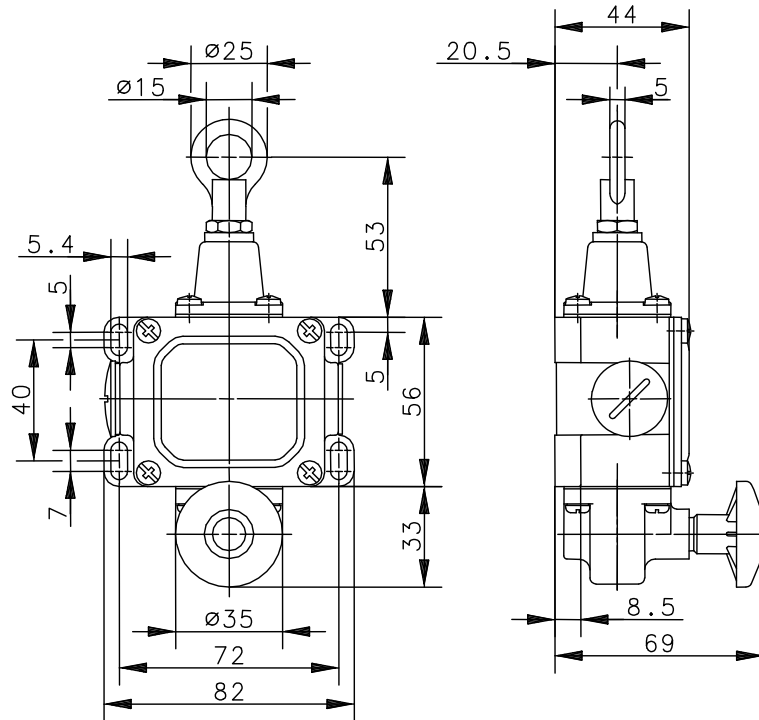


### Operating diagram (pretensioned installation)



On  
 Off

Tolerances:  
tensile force  $\pm 15\%$



Elektrische Daten		
Rated insulation voltage	$U_i$	400 V AC
Rated impulse voltage	$U_{imp}$	4 kv
Conv. thermal current	$I_{the}$	16 A
Rated operational voltage	$U_e$	240 V
Utilization category		AC-15, $U_e / I_e$ 240 V / 10 A
Direct opening action	⊕	acc. to IEC/EN 60947-5-1, Annex K
Short-circuit protective device		Fuse 16 A gG
Protection class		I

Mechanical data	
Enclosure	Al-die cast
Cover	Al-plate
Actuator	Pull ring (Zn-die cast)
Ambient air temperature	-30 °C ... +80 °C
Contact type	1 NC (locked), 1 NO (Zb)
Reset facility	Push button
Mechanical life	1 x 10 <sup>6</sup> operating cycles
Switching frequency	≤ 20 / min.
Assembly	4 x M5
Connection	4 screw terminals (M4)
Conductor cross-sections	Solid: 0,5 ... 1,5 mm <sup>2</sup> Litz wire with ferrules: 0,5 ... 1,5 mm <sup>2</sup>
Cable entrance	2 x M20 x1,5
Weight	≈ 0,49 kg
Installation position	Operator definable
Protection type	IP65 acc. to IEC/EN 60529

ID for safety engineering	
B10d	2 x 10 <sup>6</sup> cycles

Standards	
	VDE 0660 T100, DIN EN 60947-1, IEC 60947-1
	VDE 0660 T200, DIN EN 60947-5-1, IEC 60947-5-1
	DIN EN ISO 13849-1

EU Conformity	
	acc. to directive 2006/95/EC

Approvals	
	cCSA <sub>US</sub> A300 (same polarity)
	UL
	CCC

Notes	
The degree of protection (IP code) specified applies solely to a property closed cover and the use of an equivalent cable gland with adequate cable.	