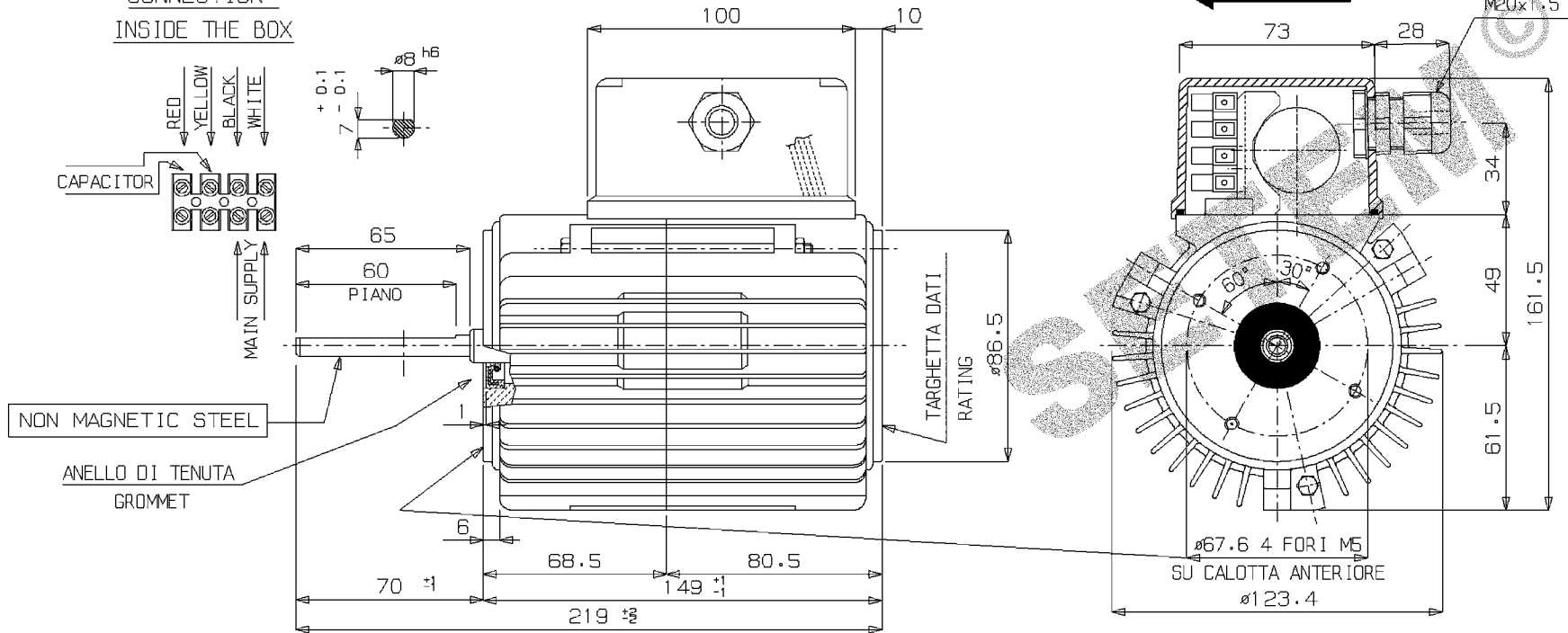
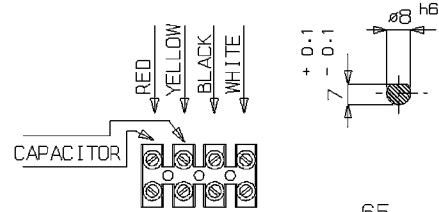


ROTATION - ROTAZIONE

 CONNECTION
INSIDE THE BOX


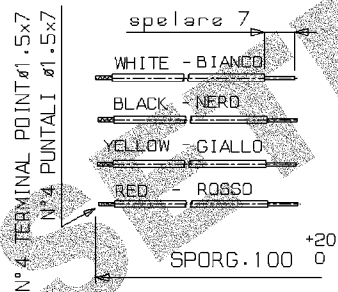
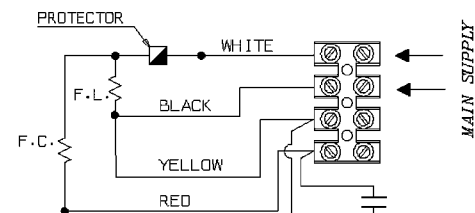
- POWER FACTOR: 0.90
- THERMAL PROTECTOR: 150°C +/- 10°C
- FLASH TEST DATA: 1800 VOLTS FOR 3 SEC
- MOTOR MUST BE CONNECTED TO EARTH
- RATING TO BE APPROVED BY THE CUSTOMER

MOTOR FULLY COMPLIANT WITH 2002/95 ROHS DIRECTIVE

ENQ 59

BALL BEARINGS WITH W.T. GREASE OR EQUIVALENT
ELECTRIC DIAGRAM INSIDE THE BOX
SHAFT, AND TERMINAL BOX SCREWS ARE STAINLESS STEEL MADE
NUTS & TIE RODS M4X90 GALVANIZED

SCHEMA CONNESSIONI



IND	DATA	MODIFICHE	DISEGNATO	CONTROLLATO			
-	-	-	-	-			
3	08/03/07	ADDED NUTS & RODS M4X90 GALVANIZED	BONATO				
2	29/11/06	CHANGED TO DEFINITIVE CODE, WAS SPC1099, ADDED NOTE 'ROHS COMPLIANT'	BONATO				
1	30/06/05	AGGIUNTO DATI DI TARGA	BONATO				
		TIPO MOTORE		IP55			
		CARAT. MECCANICHE		CUSCINETTI X A.T. W.T.			
		VOLT	230	HZ	50	AMP.	0,85
		WATT	85	HP	-	JF	2
		VC	450	CL.	F	IP VEL.	1
		GIRI	2700	POL I	2		
		DATA	11/05/05	SCALA	1/1		
		DISEGNATO		BONATO	CODICE MOTORE		
		CONTROLLATO			C0436.00		
		CODICE CLIENTE					

code:

5726003131

www.setem.fr

commercial@setem.fr

885 chemin St.Bernard - 06225 VALLAURIS - T 08 90 71 00 39 F 04 92 95 19 39