

**SMALL ENVELOPPE
GENERAL PURPOSE**

Operating Parameters

Media	Air Water
Temperature	250° F
Threads	<ul style="list-style-type: none"> • 1/8" to 1/4" NPT • Machine Thread • BSP & BSPP Available
Pressure	117 PSI
Speed	3,500 RPM
Material	Nickel Plated Steel

Features & Benefits

High Speed Air & Water Applications

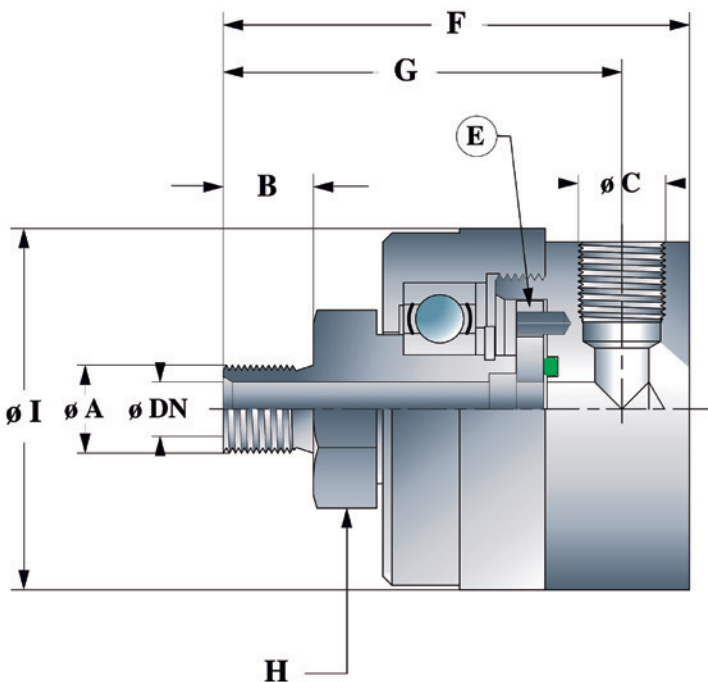
Ideal for high speed air and water applications with space constraints.

Corrosion Resistant

All steel parts are nickel plated steel for corrosion resistance.

Small Profile

Small envelope dimensions make the 300 Series suitable for use in applications with space constraints.



Ref.	3S 2086K	3S 3747K	3S 3862K
A	1/4" BSPP	1/8" BSPP	M 10 x 1
B	12	10	10
C	1/8" BSPP	1/8" BSPP	1/8" BSPP
Ø DN	6	4	3,2
E	GR 2086	GR 2086	GR 2086
F	51,5	51,5	51,5
G	44	44	44
H	19/Plats	19/Plats	19/Plats
Ø I	40	40	40