



G002018

# Heat Detector IP67

## **Salwico HC 100**

### **B-IP67**

Part no. 038021

System: C300, C308, C316, CS3000, CS3004, CS4000,  
NSAC-I, Salwico Cargo, Salwico Cruise, Salwico Workboat,  
Salwico Yacht

### General description


The HC 100 B-IP67 is a conventional heat detector for use with all Salwico Fire Alarm Systems. It is delivered complete with adapter and base. In this version of HC 100 the detector and adapter are moulded together and filled with a special moulding compound that gives it high resistance against dampness and vibrations. The detector can not be separated from the adapter. The HC 100 B-IP67 is suitable for location in harsh environments.

The heat sensing element is of thermistor type with a short response time to changes in the ambient temperature. Alarms are optically indicated until they are reset on the central.

The detector is environmentally adapted in aspects of the selection of material and design.

The detector is polarisation independent (unless the remote output is used) which simplifies the installation.

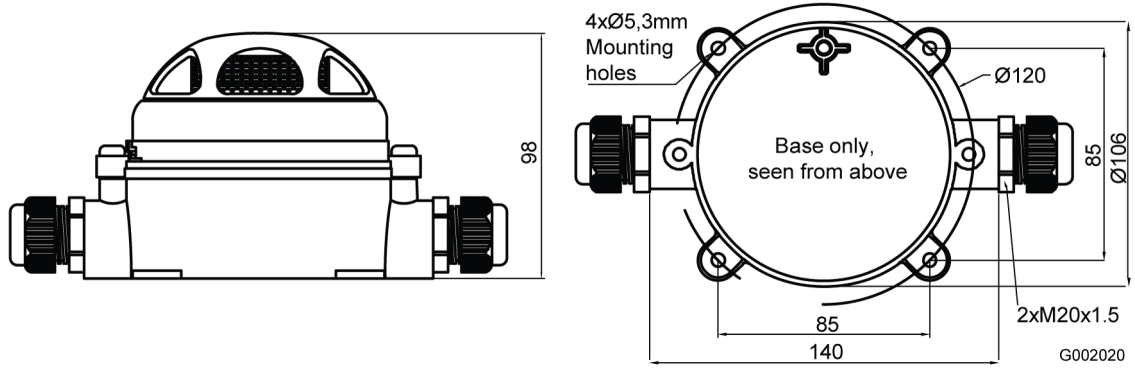
### Data

Function	Conventional
Nominal voltage	28 VDC
Working voltage	19–30 VDC
Alarm temperature	80°C
Classification	B, EN54-5:2000
Ingress protection	IP67, IEC60529:2001
Working current	< 25 µA
Alarm current	Max 54 mA
Remote output	Max 2 mA
Ambient humidity	95% RH at 55°C
Temperature range	-25°C to +85°C
Material	PC/ABS
Colour	White
Weight	~420 g
Certified according to	 0845/yy yy = year of production

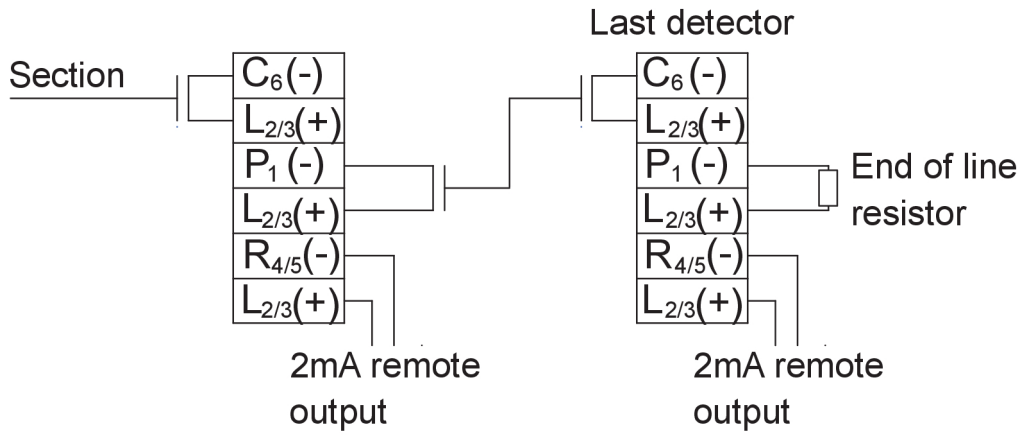
### Cleaning

Only clean outside of detector by using a damp cloth.

Dimensions (mm)



Connection



G008681