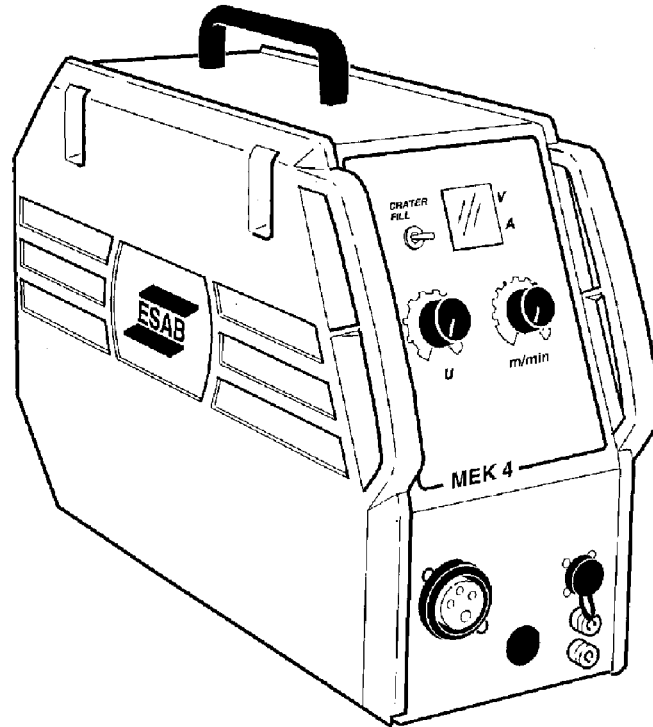


**Spare parts list**



**Valid for serial no. 431-xxx-xxxx to 826-xxx-xxxx**

**Ordering numbers**

- 0469 962 880 MEK 4 Standard, no instrument, no water connection
- 0469 962 881 MEK 4 With instrument, no water connection
- 0469 962 882 MEK 4 With water connection, no instrument
- 0469 962 883 MEK 4 With instrument and water connection

Spare parts are to be ordered through the nearest ESAB agency. Kindly indicate type of unit, serial number, denominations and ordering numbers according to the spare parts list.

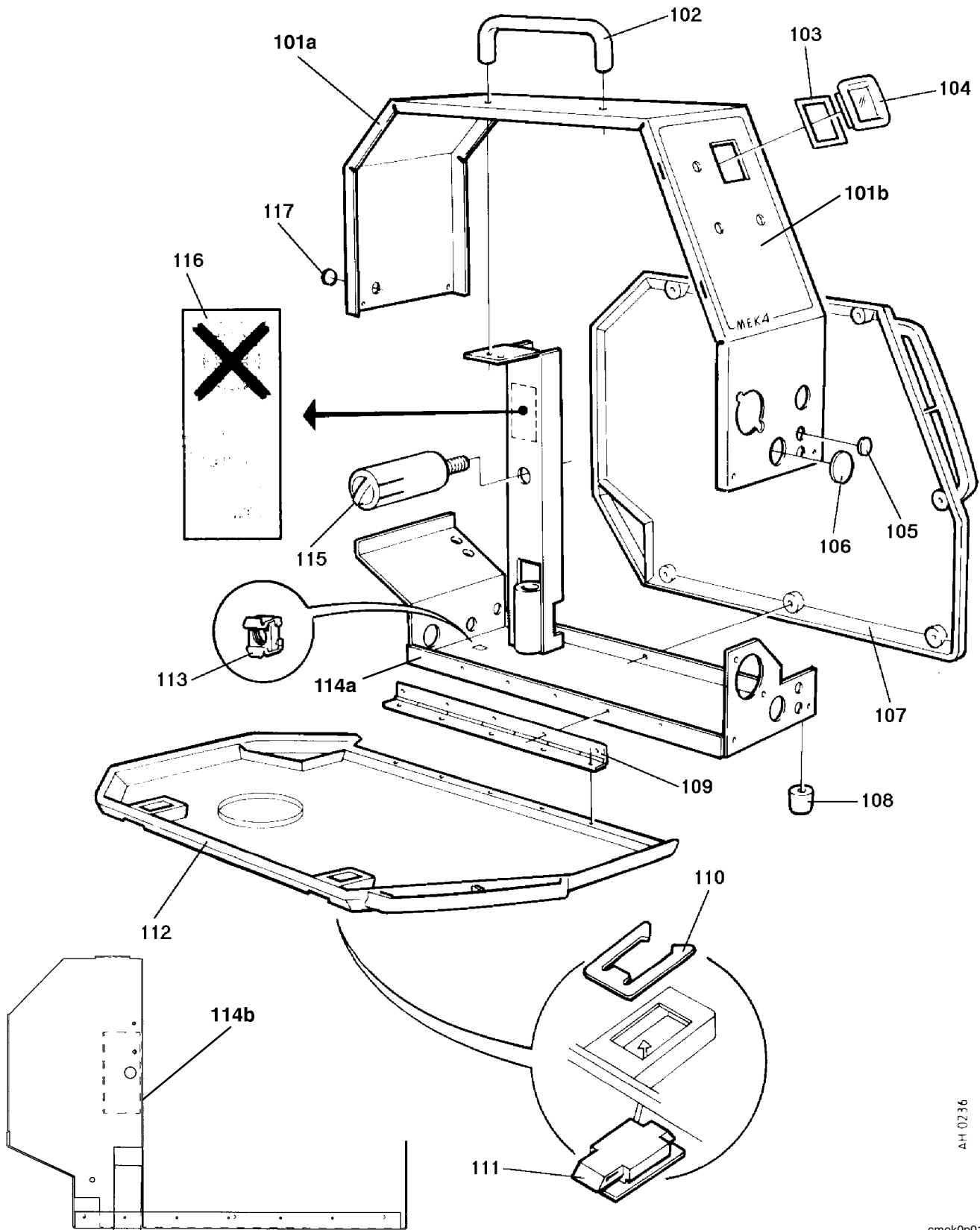
Maintenance and repair work should be performed by an experienced person, and electrical work only by a trained electrician. Use only recommended spare parts.

Rights reserved to alter specifications without notice.

**MEK 4****C = component designation in the circuit diagram**

<b>Item</b>	<b>Qty</b>	<b>Ordering no.</b>	<b>Denomination</b>	<b>Notes</b>
101a	1	0455 501 001	Cover	
101b	1	0455 959 001	Plate	With text
102	1	0467 176 001	Handle	
103	1	0455 174 001	Seal	
104	1	0455 172 001	Glass	
105	4	0192 230 105	Cover	
106	1	0192 230 112	Cover	
107	1	0469 959 001	Side cover	
108	4	0467 695 001	Rubber foot	
109	1	0469 831 001	Hinge	<b>Replaced by 2 hooks from ser. no. 431-449-xxxx</b>
	2	0469 823 001	Hook	
110	2	0369 561 002	Clamp	
111	2	0369 561 001	Lock	
112	1	0469 960 001	Side cover	
113	1	0192 562 104	Cage nut	M5
114a	-		Chassis	Replaced by item 114b
114b	1	0469 779 880	Chassis	New design, fits all versions of MEK 4.
115	1	0146 967 881	Brake hub	
116	1	0416 236 001	Plate	
117	1	0192 230 104	Cover	

**MEK 4**



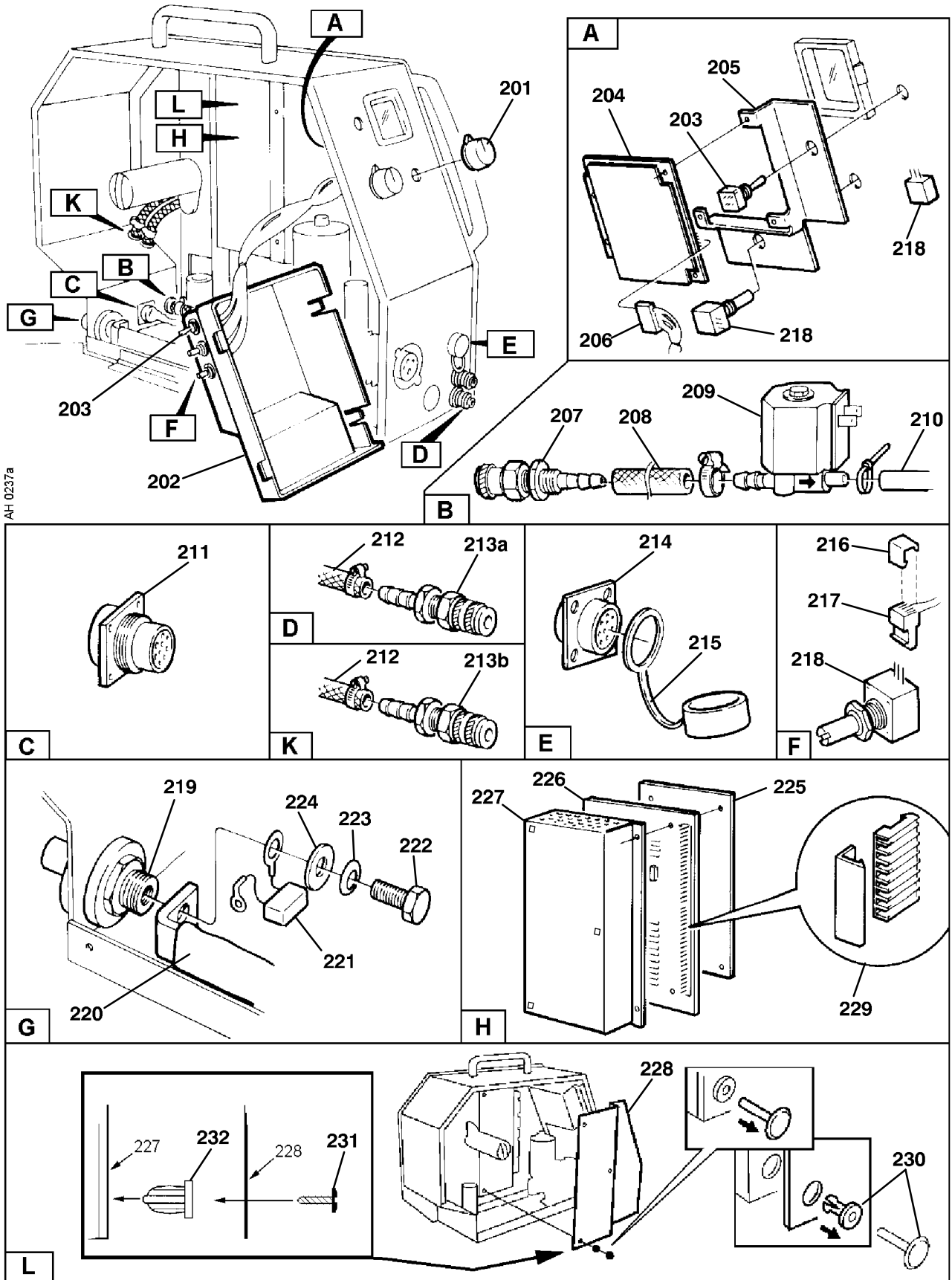
AH 0236

cmek0p01

C = component designation in the circuit diagram

Item	Qty	Ordering no.	Denomination	Notes	C
201	2	0321 475 882	Knob		
202	1	0469 776 001	Cover		
203	2	0147 866 001	Switch		SA01, SA02
204	1	0486 212 880	Circuit board	For display, only model -881 and -883	AP02
205	1	0455 078 001	Attachment		
206	1	0193 669 005	Connector	5-pole	XS11
207	1	0367 149 001	Quick connector	Male, the nut is not included	
	1		Nut	M10	
	-	0365 803 002	Quick connector	Female	
208	1	0456 496 001	Hose	L=0.33metre, D=9/5mm, reinforced PVC. To be ordered per metre	
209	1	0193 054 002	Solenoid valve		YV01
210	1	0456 496 001	Hose	L=0.22metre, D=9/5mm, reinforced PVC. To be ordered per metre.	
211	1	0368 543 005	Pin socket	23-pole	XP01
	14	0323 945 004	Pin		
212	1	0190 315 106	Hose	L=2x0.65metre, D=16/9.5mm, reinforced PVC. To be ordered per metre.	
213a	1	0365 803 008	Quick connector	Female, red	
	1	0365 803 009	Quick connector	Female, blue	
-	-	0365 803 001	Quick connector	Male	
213b	1	0365 803 008	Quick connector	Female, red. <b>Before ser. no. ... 649 ...</b>	
	1	0365 803 009	Quick connector	Female, blue. <b>Before ser. no. ... 649 ...</b>	
213b	1	0365 803 011	Quick connector	Female, red. <b>From ser. no. ... 649 ...</b>	
	1	0365 803 012	Quick connector	Female, blue. <b>From ser. no. ... 649 ...</b>	
-	-	0365 803 013	Quick connector	Male. <b>From ser. no. ... 649 ...</b>	
214	1	0368 544 003	Sleeve socket	12-pole. <b>For ser. no. 431 ...</b>	XS13
	1	0368 544 005	Sleeve socket	23-pole. <b>From ser. no. 514 ...</b>	XS13
	12	0323 945 003	Sleeve	<b>For ser. no. 431 ...</b>	
	23	0323 945 003	Sleeve	<b>From ser. no. 514 ...</b>	
215	1	0366 285 001	Cap	<b>For ser. no. 431 ...</b>	
	1	0455 516 001	Cap	<b>From ser. no. 514 ...</b>	
216	4	0193 260 092	Cover	For 3-pole connector	
217	4	0193 260 062	Connector	3-pole	XS07, XS08, XS09, XS10
218	4	0191 870 616	Potentiometer	10 k $\Omega$	RP01, RP02, RP03, RP04
219	1	0160 609 881	Welding current connector		XP02
220	1	0469 832 880	Busbar	With insulation	
221	1	0192 915 013	Capacitor	PME 271 0.1 $\mu$ F 250 V, without cable lugs	C01
222	1		Screw	M10x20	
223	1		Spring washer	$\varnothing$ 20/10.2x1.1	
224	1		Washer	$\varnothing$ 24/13x2	
225	1	0455 517 001	Cover (bottom box)	<b>From ser. no. 826 ...</b> Length = 317mm When a cover with another length is replaced also item 227 must be replaced.	
226	1	0487 166 880	Circuit board	<b>Replacing 0486 205 880, 0486 205 882 and 0486 205 886</b>	AP01
227	1	0455 518 001	Box (top box)	<b>From ser. no. 826 ...</b> Length = 317mm When a box with another length is replaced also item 225 must be replaced. With this box items 228, 231 and 232 must be used.	
228	1	0455 519 001	Cover	<b>From ser. no. 514 ...</b>	
229	1	0193 260 076	Connector	17-pole	XS01
	3	0193 260 150	Connector	2-pole	XS02, XS06, XS12
	1	0193 260 154	Connector	6-pole	XS03
	1	0193 260 157	Connector	9-pole	XS05
	1	0193 260 160	Connector	12-pole	XS04
230	3	0455 661 019	Plastic rivet	<b>From ser. no. 514 ... to 514 718 ...</b>	
231	3	0193 517 342	Screw	Plastic <b>From ser. no. 514 718 ...</b>	
232	3	0194 019 001	Spacer	Plastic <b>From ser. no. 514 718 ...</b>	

# MEK 4



AH 0237a

cmek0p02

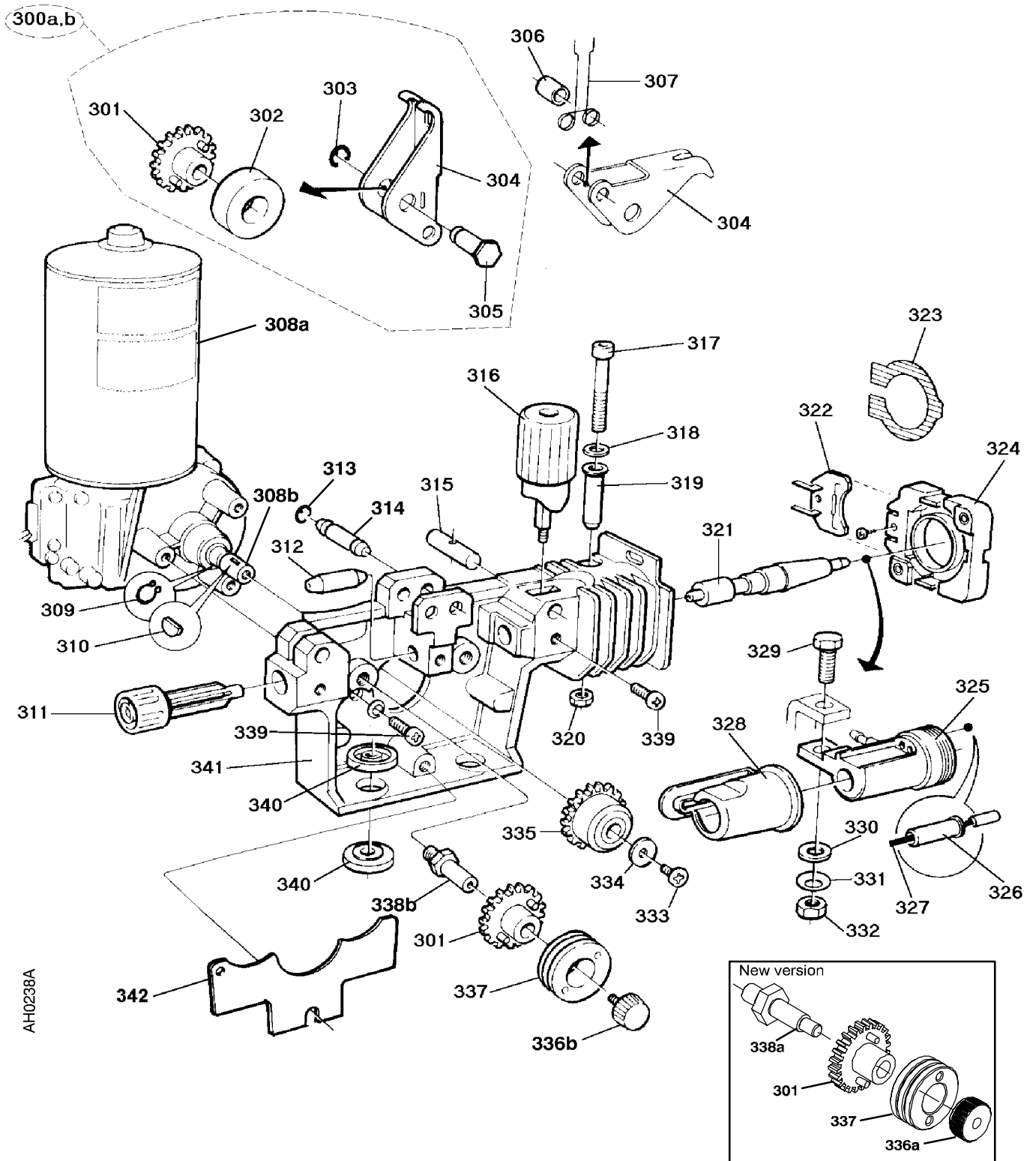
C = component designation in the circuit diagram

Item	Qty	Ordering no.	Designation	Notes	C
300a	1	0469 833 880	Pressure arm, left	Contains items 301, 302, 303, 304 and 305, one of each.	M01, G01
300b	1	0469 833 881	Pressure arm, right	Items 301, 302, 303, 304 and 305, one of each. The same as 300a, only fitted differently.	
301	4	0455 053 880	Geared adapter (W)		
302	2	0369 728 001	Pressure roller (W)		
	2	0466 262 001	Pressure roller (W) (A)	Knurled	
303	2		Locking washer	Included in item 300a and 300b	
304	2		Holder	Included in item 300a and 300b	
305	2		Shaft	Included in item 300a and 300b	
306	2	0455 070 001	Sleeve		
307	1	0455 050 001	Spring		
308a	1	0455 077 001	Drive unit	With tachometer	
308b	1	0332 351 012	Drive shaft with pinion	Included in item 308a	
309	1	0215 701 007	Locking washer	Included in item 308a	
310	1	0191 496 114	Key	Included in item 308a	
311	1	0455 049 001	Inlet nozzle (W)		
312	1	0455 072 001	Adapter nozzle (W)		
	1	0456 615 001	Adapter nozzle (W) (A)	For aluminium	
313	4	0215 702 706	Locking washer		
314	2	0455 071 001	Shaft		
315	2	0367 528 001	Pin bolt		
316	2	0368 749 880	Pressure transducer		
317	1		Screw	M6x40	
318	1		Washer	∅ 12/6.4x1.5	
319	1	0455 048 001	Insulating tube		
320	1		Nut	M6	
321	1	0469 837 880	Outlet nozzle (W)		
	1	0469 837 881	Outlet nozzle (W) (A)	For aluminium	
322	1	0481 004 880	Printed circuit board	Current relay	
323	1	0455 079 001	Plate		
324	1	0455 047 001	Front flange		
325	1	0455 044 001	Current junction		
326	2	0368 750 001	Insulating sleeve		
327	1	0469 964 882	Cable set		
328	1	0455 045 001	Insulating sleeve		
329	1		Screw	M8x25	
330	1		Washer	∅ 16/8.4x1.5	
331	1		Spring washer	∅ 16/8.2x0.9	
332	1		Nut	M8	
333	1		Screw	M4x12	
334	1		Washer	∅ 16/5x1	
335	1	0455 052 001	Drive gear (W)		
336a	2	0458 721 001	Nut	Valid from ser.no.826-114-xxxx	
336b	2	0455 075 001	Screw	Valid before ser.no.826-114-xxxx When ordering: items 336a and 338a are delivered.	
337	2	0369 557 001	Feed roller (W) (A)	(V)For ∅ 0.6 - 0.8 mm Fe, Ss and cored wire	
	2	0369 557 002	Feed roller (W) (A)	(V)For ∅ 0.8 - 1.0 mm Fe, Ss and cored wire	
	2	0369 557 003	Feed roller (W)	(V)For ∅ 1.0 - 1.2 mm Fe, Ss and cored wire	
	2	0369 557 007	Feed roller (W) (A)	(V)For ∅ 1.2 - 1.6 mm Fe, Ss and cored wire	
	2	0369 557 010	Feed roller (W) (A)	(V)For ∅ 1.2 mm x 2 Fe, Ss and cored wire	
	2	0369 557 013	Feed roller (W) (A)	(V)For ∅ 1.4 - 1.6 mm Fe, Ss and cored wire	
	2	0369 557 004	Feed roller (W) (A)	(K)(V) For ∅ 1.0 - 1.2 / 1.4 - 1.6 mm cored wire	
	2	0369 557 006	Feed roller (W) (A)	(U) For ∅ 1.0 - 1.2 mm Al wire	
	2	0369 557 008	Feed roller (W) (A)	(U) For ∅ 1.6 mm Al wire	
	2	0369 557 011	Feed roller (W) (A)	(U) For ∅ 0,8 - 0,9 mm Al wire	
338a	2	0458 722 001	Shaft	Valid from ser.no.826-114-xxxx	

# MEK 4

Item	Qty	Ordering no.	Designation	Notes	C
338b	2	0455 068 001	Shaft	Valid before ser.no.826-114-xxxx When ordering: items 336a and 338a are delivered.	
339	6		Screw		M6x16
340	4	0153 043 002	Insulating washer		
341	1	0455 046 001	Gear housing		
342	1	0469 838 001	Protection plate		

(W) = wear part (A) = accessory (K) = knurled rollers (V) = V-groove (U) = U-groove



AH0238A

cm ek0p03