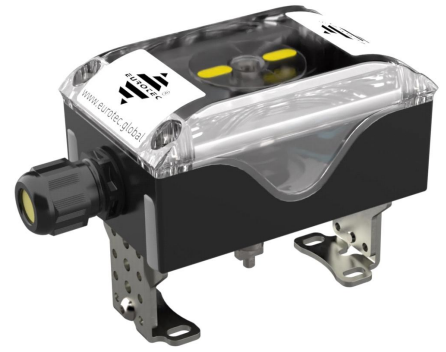


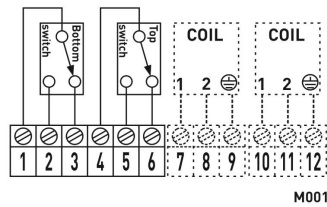
Endschalterbox, wave, PA/PC, 2x mechanisch, SPDT

Limit switch box, wave, PA/PC, 2x mechanical, SPDT

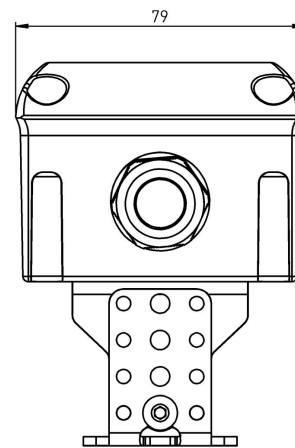
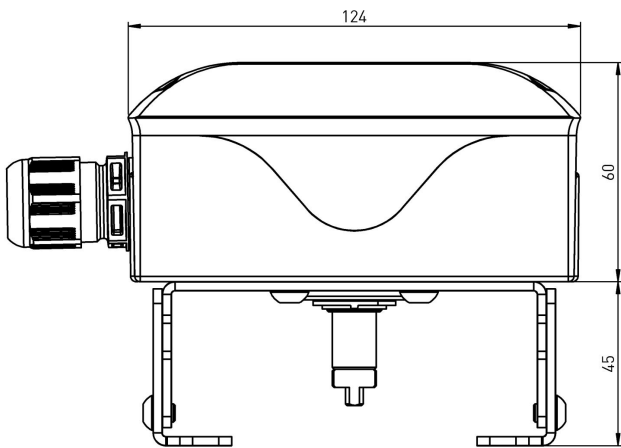
| | |
|---|---|
| Artikelnummer Part number | EPE2M01-488 |
| Endschaltertyp Switch type | Crouzet, 83161.8, Gold |
| Spannung/Strom Voltage/Current | Au:0,1A(250VAC/24VDC), Ag:10A(250VAC)/2,5A(24VDC) |
| IP-Schutz IP protection | IP67 |
| SIL Level SIL level | SIL 1-3 |
| Umgebungstemperatur Ambient temperature | -25...+80°C |
| Gehäuse Material Housing material | PA6, PC, EPDM, NBR |
| Anschlüsse Connections | 1x M20x1,5 |



Klemmplan Wiring diagram



MaßzeichnungDimensions



Enthaltenes Zubehör Included Accessories

- MBH01 **Edelstahl-Montagebrücke, verstellbar, 80x30x20mm (1.4301)**
Stainless steel bracket, adjustable, 80x30x20mm (AISI 304)

Besonderheiten Extras