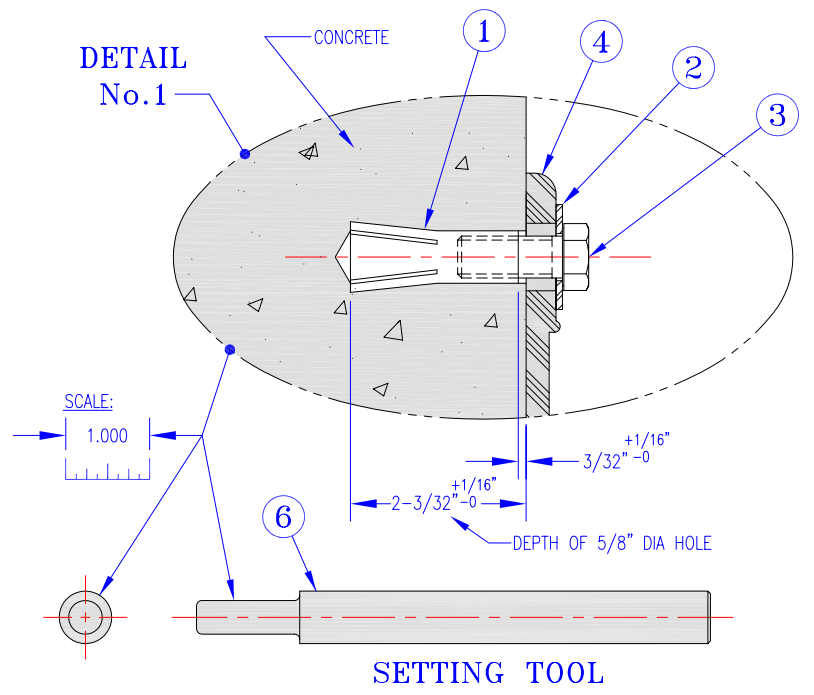
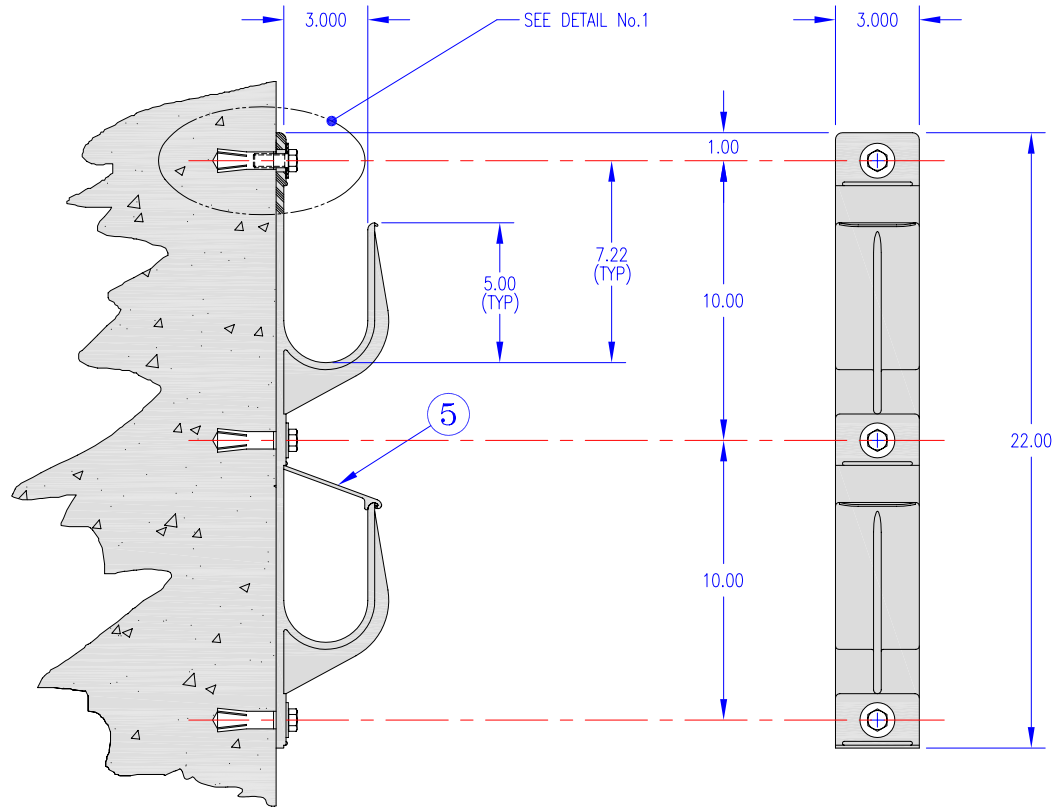


BILL OF MATERIAL

ITEM NUMBER	CATALOG NUMBER	DESCRIPTION	QUANTITY REQUIRED
①	FSRM-12	1/2"-13 DROP-IN ANCHOR Material: 303 STAINLESS STEEL	3
②	FFW316-18-40	FLAT WASHER ID=.562, OD=1.250, THK=.078 Material: 316 STAINLESS STEEL	3
③	FHC316-16-040	1/2"-13 X 1-1/4" LG. HEX HEAD CAP SCREW Material: 316 STAINLESS STEEL	3
④	3SR2	3SR2 SADDLE RACK Material: Polycarbonate *	1
⑤	3SRL	3SRL LOCK (OPTIONAL) Material: Polycarbonate *	2 MAX
⑥	FRT-112	SETTING TOOL (Used to install Catalog No. FSRM-12 Drop-In Anchor)	AS REQ'D



GENERAL INSTALLATION GUIDE LINES:

1. BE SURE THE SURFACE OF THE CONCRETE WALL IS FLAT AND SMOOTH.
2. ONE FASTENER SHOULD BE INSTALLED IN EACH OF THE SADDLE RACKS ELONGATED HOLES.
3. INSTALL EACH DROP-IN ANCHOR AS SHOWN ON THIS DRAWING AND AS DESCRIBED BELOW.
 - A. DRILL A 5/8" DIA HOLE 2-3/32" DEEP.
 - B. BLOW OUT HOLE.
 - C. DRIVE ANCHOR 3/32" TO 5/32" BELOW THE SURFACE OF THE CONCRETE SURFACE.
 - D. EXPAND ANCHOR WITH FRT112 SETTING TOOL. ANCHOR IS PROPERLY SET WHEN SHOULDER OF SETTING TOOL IS FLUSH WITH THE TOP OF ANCHOR.

GENERAL INSTALLATION GUIDE LINES (CONTINUED):

4. INSTALL THE FLAT WASHER AND TIGHTEN THE CAP SCREW JUST ENOUGH TO ATTAIN A SNUG FIT. AVOID HIGH SCREW TORQUE WHICH INDUCES COMPRESSIVE STRESS.

NOTES:

* SADDLE RACK AND LOCK ARE ALSO AVAILABLE IN GLASS REINFORCED NYLON. ADD "N" SUFFIX TO CATALOG NUMBER.



* U.S. PATENT No. 228737 *



3SR2 SADDLE RACK MOUNTING HARDWARE & INSTALLATION DETAILS (Installation On Concrete Wall Using Drop-In Anchors)

SCALE: See At Above	DESIGNED BY: Don McCoy	DETILED BY: Alan Armstrong	CHECKED BY: Don McCoy
DATE: 5-10-93	APPROVED BY:	REVISION: C	1-8-01

1st Designed For TYPICAL INSTALLATION OF CABLE RACKS

UNDERGROUND DEVICES, INC. 90-231
NORTHBROOK, ILLINOIS 60062 - PHONE: (847) 205-9000 PAGE 1 OF 1