

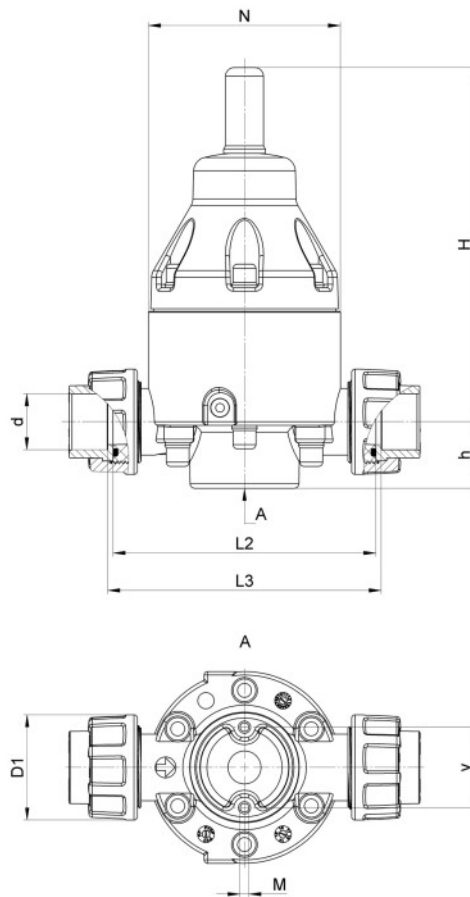
Pressure relief valves DHV 712-R

PVC-U | EPDM | PTFE | DN25 | PVC-U socket DIN

Item-No.: 146353 / Weight: 1.690 kg / Customs Tariff No.: 848180



Material class	PVC-U
Material sealing element	EPDM
PN	10
Connection	PVC-U socket DIN
Cleaning	-
DN (inch)	1 Zoll
DN	25 mm
Material diaphragm	PTFE
Pressure gauge connection	-
adjusted to	0 bar
sealed	no
Adjustment range	0,30000 - 10,00000 bar



Dimensions

d	32 mm
D1	66 mm
L2	150 mm
L3	156 mm
H	202,5 mm
v	46 mm
N	109,5 mm
M	M6
h	38 mm