

Control box **CBD4**

The CBD4 control box is a sophisticated control box in the LINAK DESKLINE® product range and it is the perfect choice for all types of desks. The CBD4 ensures that the DESKLINE application has a very low and pleasant noise level and a constant speed level. The control box is compatible with a wide range of columns, built-in actuators and the LA31 single actuator with hall print and mini fit cable, optimising logistics as you only need one box for each system.

The CBD4 ensures optimised parallel drive for 2, 3, or 4 legs in parallel or a smooth drive as a single leg control box. The control box has an extreme low power consumption of only 0.1 W in standby mode.



Features:

- The CBD4 can be connected with up to 4 actuators/ columns
- Mains voltage 120 V AC / 60 Hz or 230 V AC / 50 Hz
- Compact high-power toroidal transformer
- The power consumption in stand-by mode is only 0.1 Watt with CBD4 ZERO™
- Colour: black
- Exchangeable standard mains cable
- Protection against overload (EOP), by individual current limitation
- The control box is designed with a soft start/stop function
- A hook for mains cable relief
- Auto detection of the number of units connected
- Auto detection of leg/unit type connected

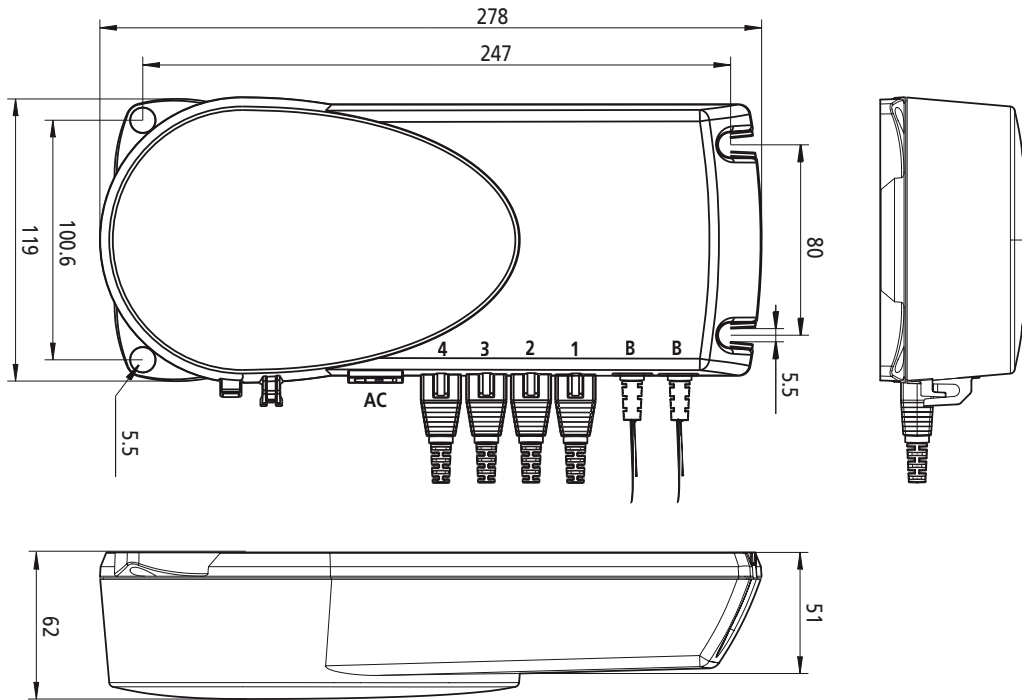
Options:

- SLS input
- Anti-Collision™ (only for DL4, DL6, DL9, DL11)
- Mains cut-off
- Simulator function (for life tests or demonstration at exhibitions)
- Configurator for local configuration or programming
- Multi-parallel for up to 16 legs in parallel

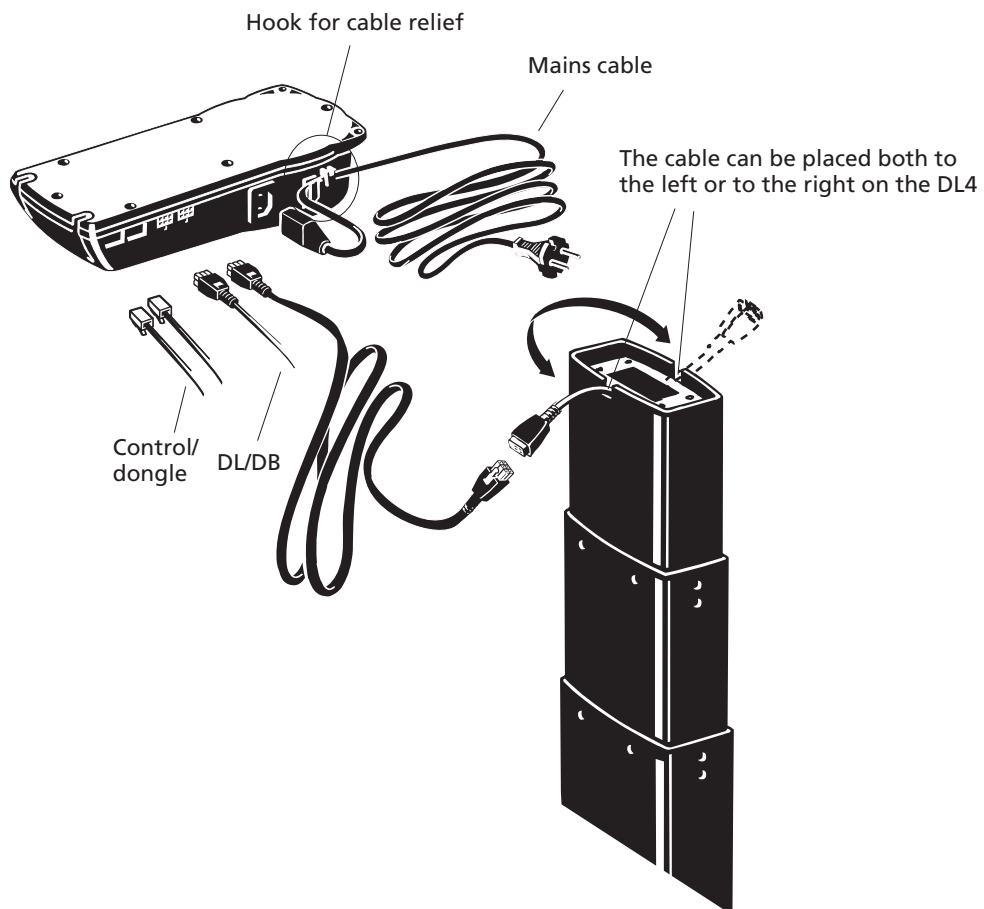
Usage:

- Duty cycle max. 10 % ~ 6 min. per hour or 2 min. at continuous use at full load
- The control box is compatible with DL2, DL4, DL5, DL6, DL7, DL8, DL9, DL10, DL11, DL12, DL14, DL15, DL16, DL17 columns and DB4, DB5, DB6, DB14 built-in actuators or the LA31 for single or parallel drive
- Compatible with all DESKLINE controls
- Approved according to EN 13849, EN 60335-1, UL 962 and approved according to the Australian Standard AS/NZS3197

Dimensions [mm]:

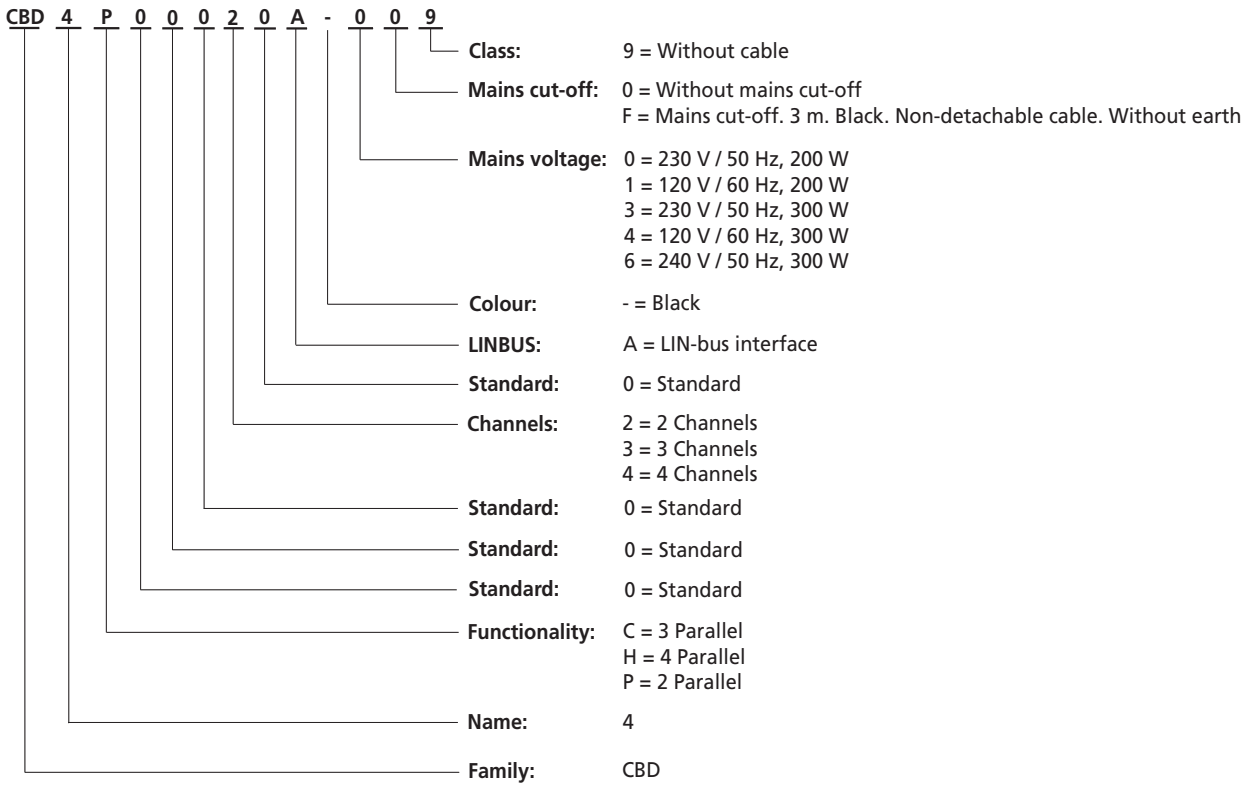


Connection guidelines:

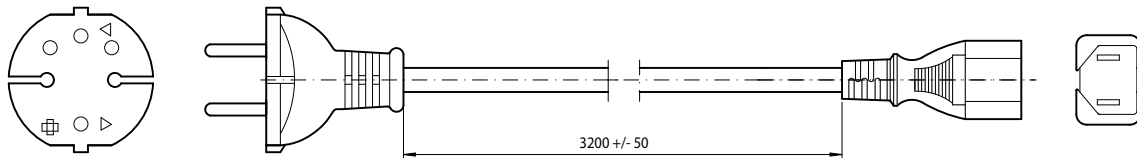


CBD4

Ordering example:



Mains cables:



Mains cables	
0015615	EU plug, straight, black 2.0 m mains cable PVC-free
0015562	EU plug, straight, black 3.2 m mains cable
0015959	EU plug, straight, grey 3.2 m mains cable
0015186	EU plug, coiled, black 0.6 m mains cable
0015197	EU plug, coiled, grey 0.6 m mains cable
0015942	US plug, straight, black 3.2 m mains cable
0015616	US plug, straight, black 3.2 m mains cable PVC-free
0015239	Australian plug, straight, black 3.2 m mains cable

Terms of use

The user is responsible for determining the suitability of LINAK products for specific application. LINAK takes great care in providing accurate and up-to-date information on its products.

However, due to continuous development in order to improve its products, LINAK products are subject to frequent modifications and changes without prior notice. Therefore, LINAK cannot guarantee the correct and actual status of said information on its products.

While LINAK uses its best efforts to fulfill orders, LINAK cannot, for the same reasons as mentioned above, guarantee the availability of any particular product. Therefore, LINAK reserves the right to discontinue the sale of any product displayed on its website or listed in its catalogues or other written material drawn up by LINAK.

All sales are subject to the Standard Terms of Sale and Delivery for LINAK. For a copy hereof, please contact LINAK.