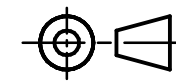


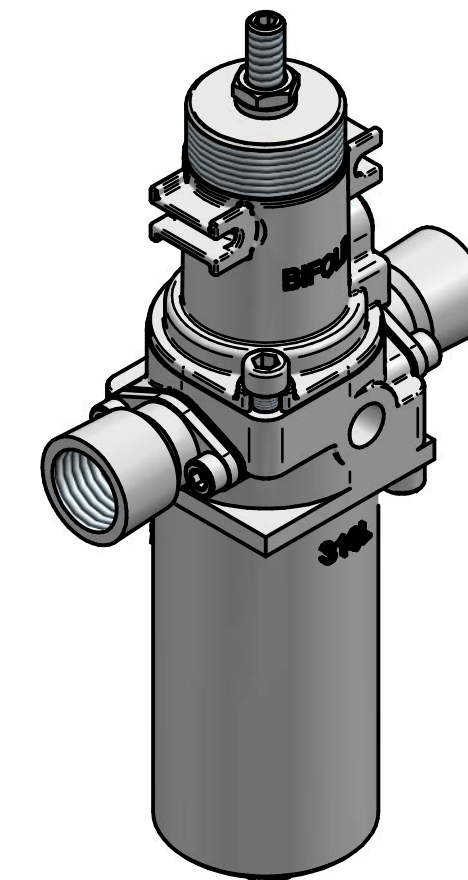
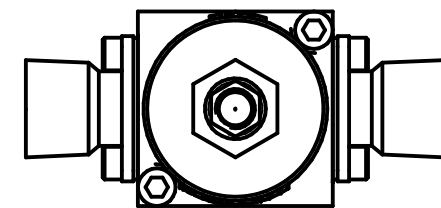
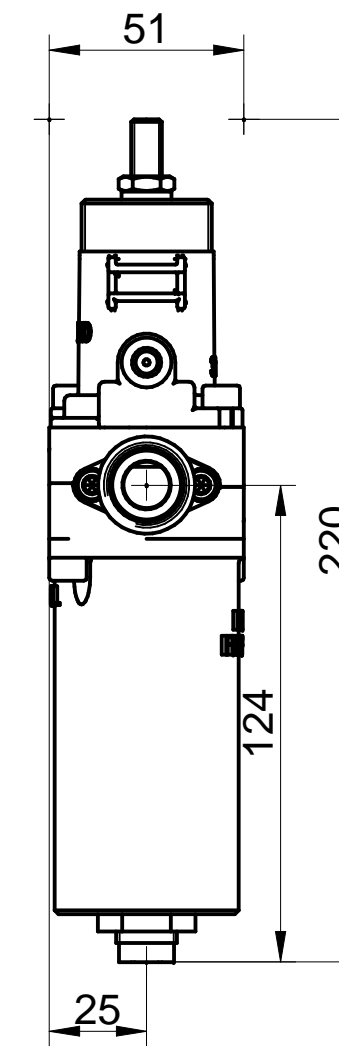
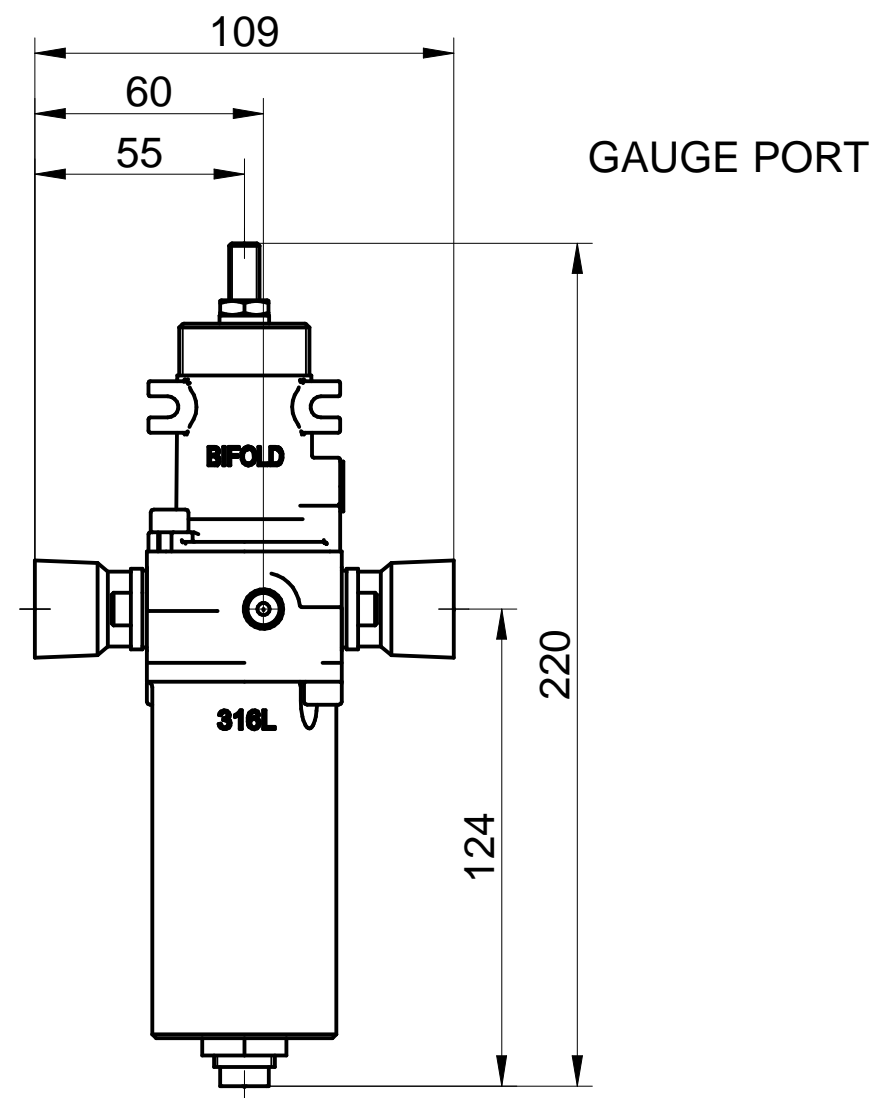
DO NOT SCALE

THIRD ANGLE PROJECTION

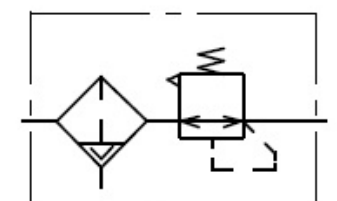


DIMENSIONS IN MILLIMETRES

FIXING SCREW TORQUE SETTINGS	
M4	2.2 Nm
M5	4.3 Nm
M6	7.3 Nm
M8	17.7 Nm
M10	35.5 Nm



SCHEMATIC



REV	DATE	DRAWN	REVISION
0	18.01.22	CONF	PRODUCTION ISSUE

NOTES :

1.) O-RING MATERIAL CODE 'X'

S = NITRILE  
V = VITON  
AL = FLUOROSILICONE  
AG = SILICONE

2.) ALL DIMENSIONS NOMINAL UNLESS OTHERWISE STATED.

We take care to ensure that the product information in this configurator is reasonably accurate and up-to-date. However, our products are continually developed and updated so to ensure accurate and up-to-date information please contact a member of our sales team.

When selecting a product, the applicable operating system design must be considered to ensure safe use. The products function, material compatibility, adequate ratings, correct installation, operation and maintenance are the responsibilities of the system designer and user.

<b>Bifold</b> <sup>®</sup>		Bifold Fluidpower Limited Bifold Group, Oldham Broadway Business Park, Chadderton, Gr. Manchester OL9 9XA Telephone (44) 0161 345 4777 Fax (44) 0161 345 4780	
PROJECT TITLE SH12-FR-SR-AD-X-X		PROJECT No.	
DRAWING TITLE GENERAL INSTALLATION		DRAWING No. Quote Only	REV. 0
DRAWN CONF	DATE 18.01.22		
Copyright © 2018 BIFOLD FLUIDPOWER LTD. All Rights Reserved C.A.D. Produced Drawing DO NOT Change By Hand			