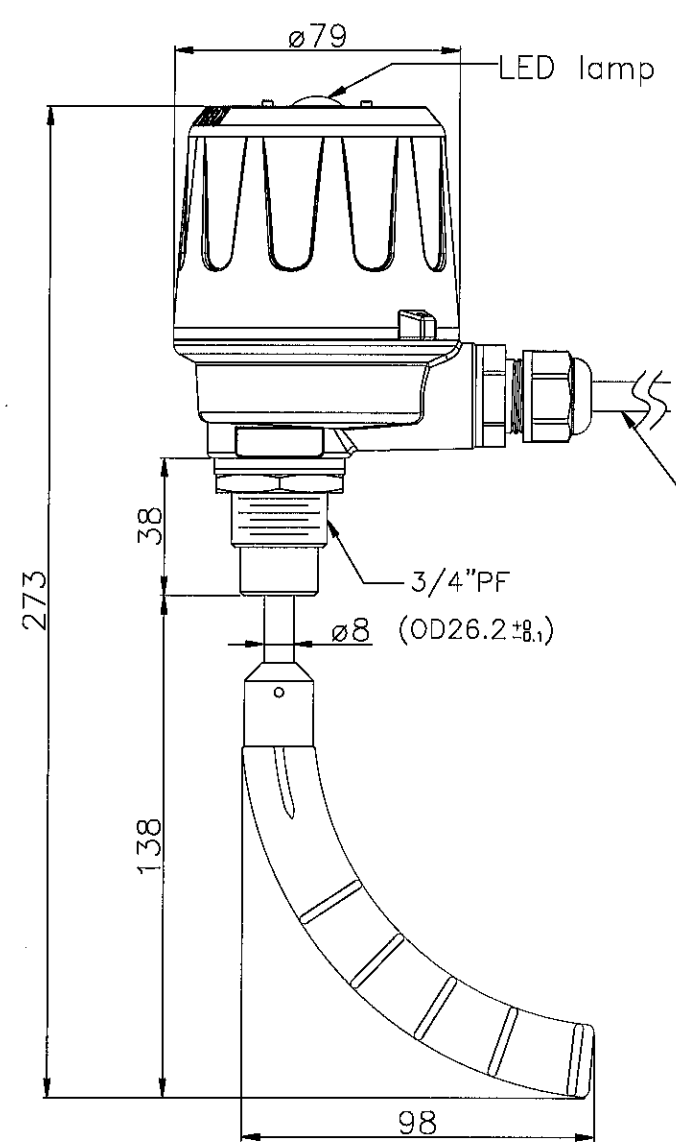


1 2 3 4 5 6



MODEL: SE3810ECRH5000+TA

DESCRIPTION	MATERIAL & SPECIFICATION
Housing	Aluminum alloy (IP65)
Connection size	3/4"PF
Paddle shapes	Scimitar (PC)
Supply voltage	24Vdc
Power Consumption	1.5W
Contact rating	SPDT, 5A/250VAC
Rotary speed	1 R.P.M.
Material density	0.3 g/cm³
Ambient Temp.	-40°C~85°C

ROTARY PADDLE LEVEL SWITCH

Copyright, without permission, is prohibited reproduction, retained or circulated Rights Reserved.

REV.	DATE	REVISION SECTION

	<b>FineTek Co.,Ltd.</b> e-mail: info@fine-tek.com http://www.fine-tek.com	SA APPROVED <i>Mandy</i>	APPROVED BY CLIENT RD/PR APPROVED <i>Fish. Cheng</i>	MODEL: SE3810ECRH5000+TA	DRAWING Rachel	DATE: 2016.05.19	UNIT: mm SCALE: 1:2	REV. DO
	2	3	4	5	6			