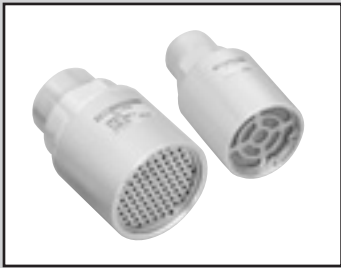


F.R.L.
 F.R.
 F (Filtr)
 R (Reg)
 L (Lub)
 Drain Separ
 Mech Press SW
 Res press exh valve
 SlowStart
 Anti-bac/Bac-remove Filtr
 Film Resist FR
 Oil-ProhR
 Med Press FR
 No Cu/ PTFE FRL
 Outdrs FRL
 Adapter Joiner Press Gauge
 CompFRL
 LgFRL
 PrecsR
 VacF/R
 Clean FR
 ElecPneR
 AirBoost
 Speed Ctrl
 Silncr
 CheckV/ other
 Fit/Tube
 Nozzle
 Air Unit
 PrecsCompn
 Electro Press SW
 ContactSW
 AirSens
 PresSW Cool
 Air Flo Sens/Ctrl
 WaterRtSens
 TotAirSys (Total Air)
 TotAirSys (Gamma)
 Gas generator
 RefrDry
 DesicDry
 HiPolymDry
 MainFiltr
 Dischrg etc
 Ending

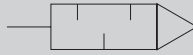


Silencer: Metal body

SL Series

● Port size: R1/4 to R2

JIS symbol



Features

- SL-8A to 25A has been upgraded, integrating the entire series in a lightweight, compact design.
 - Weight ratio (SL-8A to 25A) reduced by 50% or more compared to conventional CKD model
- The replaceable element extends product life.
- The product is eco-friendly.
 - Chromate treatment (hexavalent chromium) has been eliminated.
 - The coating has been eliminated.
 - Segregated disposal is possible.
- Noise reduction effect of 20 dB [A] or higher

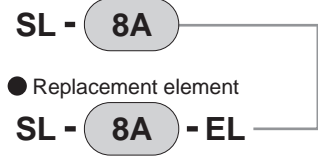
Specifications

Item	SL-8A	SL-10A	SL-15A	SL-20A	SL-25A	SL-32A	SL-40A	SL-50A
Working fluid	Compressed air							
Max. working pressure MPa	0.9							
Min. working pressure MPa	0							
Proof pressure MPa	1.35							
Fluid temperature °C	5 to 60 (no freezing. *2)							
Ambient temperature °C	-10 to 60 (no freezing)							
Port size R	1/4	3/8	1/2	3/4	1	1 1/4	1 1/2	2
Weight g	75	100	105	245	250	450	450	650
Compatible cylinder Tube Diameter	ø50 to ø100	ø63 to ø140	ø75 to ø180	ø100 to ø250	ø140 to ø250	ø140 to ø450	ø140 to ø450	ø300 to ø450
Noise reduction effect dB [A]	20 or more							
Flow rate *1 l/min(ANR)	2400	3200	4100	12,000	14,000	17,000	17,500	33,000
Effective cross-sectional area mm ²	36	48	61	160	210	250	260	500

*1: Flow rate is the atmospheric pressure conversion value at pressure 0.5 MPa

*2: Freezing may occur due to adiabatic expansion depending on the air quality (dew point).

How to order

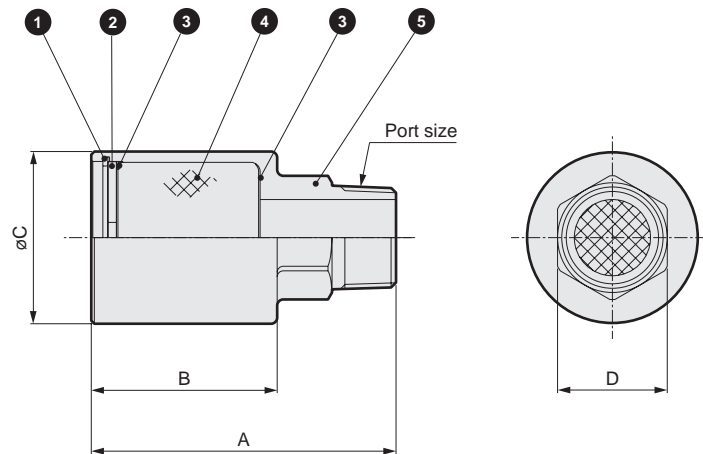


A Port size	
8A	R1/4
10A	R3/8
15A	R1/2
20A	R3/4
25A	R1
32A	R1 1/4
40A	R1 1/2
50A	R2

Dimensions/internal structure and main parts list



● SL-8A to 50A



Model No.	Port size	A	B	øC	D
SL-8A	R1/4	64	41	30	17
SL-10A	R3/8	74.5	49.5	36	24
SL-15A	R1/2	77.5	49.5	36	24
SL-20A	R3/4	98	61	56	36
SL-25A	R1	100	61	56	36
SL-32A	R1 ¹ / ₄	100	58	72	55
SL-40A	R1 ¹ / ₂	100	58	72	55
SL-50A	R2	108	58	89	70

No.	Part name	Material
1	C-snap ring	Steel (8A to 25A)
		Stainless steel (32A to 50A)
2	Perforated metal	Steel
3	Wire mesh	Stainless steel
4	Element	Vinylidene chloride (8A to 25A)
		Urethane (32A to 50A)
5	Body	Aluminum alloy

Safety precautions

- Tighten pipes with the appropriate torque.
- Check that the C-snap ring does not pop off when removed or attached.
- Assemble the C-snap ring accurately when replacing the element.
Parts used inside could pop out and cause problems if assembly is not complete.
- Depending on work, the silencer could clog and reduce exhaust.
Service the product by replacing the element regularly.
- Silencing values are based on JIS standards. Silencing could vary with the type of circuit and pressure used.

[Recommended tightening torque]

Port thread	Tightening torque N·m
R1/4	6 to 8
R3/8	13 to 15
R1/2	16 to 18
R3/4	19 to 40
R1	41 to 70
R1 ¹ / ₄	43 to 75
R1 ¹ / ₂	45 to 80
R2	47 to 85

F.R.L.
F.R.
F (Filtr)
R (Reg)
L (Lub)
Drain Separ
Mech Press SW
Res press exh valve
SlowStart
Anti-bac/Bac-remove Filtr
Film Resist FR
Oil-ProhR
Med Press FR
No Cu/ PTFE FRL
Outdrs FRL
Adapter Joiner
Press Gauge
CompFRL
LgFRL
PrescR
VacF/R
Clean FR
ElecPneuR
AirBoost
Speed Ctrl
Silncr
CheckV/ other
Fit/Tube
Nozzle
Air Unit
PresCompn
Electro Press SW
ContactSW
AirSens
PresSW Cool
Air Flo Sens/Ctrl
WaterRISens
TotAirSys (Total Air)
TotAirSys (Gamma)
Gas generator
RefrDry
DesicDry
HiPolymDry
MainFiltr
Dischrg etc
Ending